

# KL21B

# KLUBB®

CONFIDENCE AT ITS HIGHEST LEVEL

## AERIAL PLATFORM MOUNTED ON VAN



Working height



Kunze GmbH  
+49 8062 726110  
<https://www.kunze-buehnen.com/>  
Hermann-Oberth-Straße 3  
D- 83052 Bruckmühl Germany

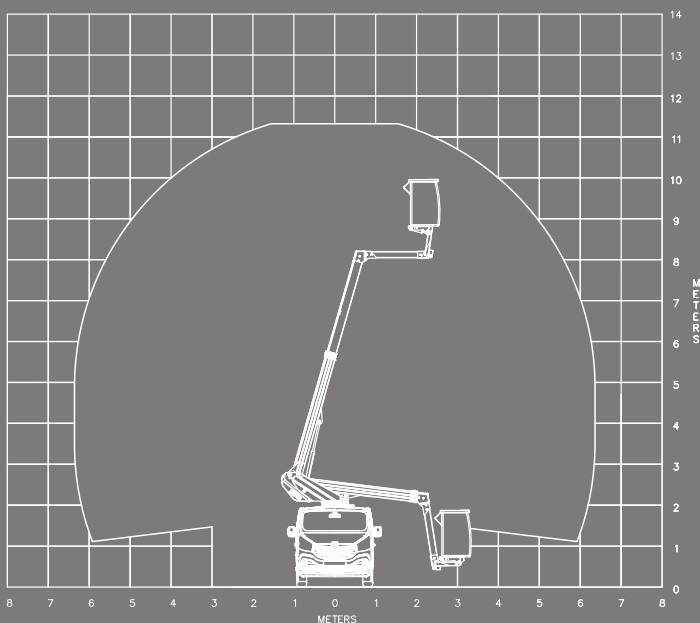


# KL21B TELESCOPIC AERIAL PLATFORM

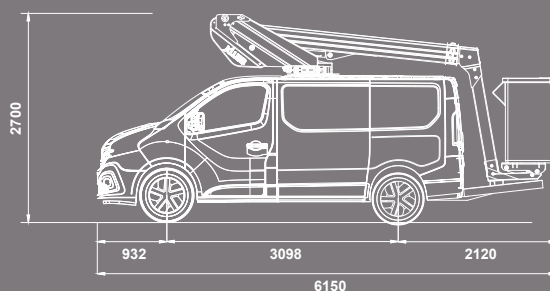
mounted on van

# KL21B

## WORKING DIAGRAM



## VEHICLE DRAWING



## STANDARD SPECIFICATIONS

- Engine start and stop from basket
- Independent emergency electric pump with all the features in the basket for maximum security
- Proportional controls
- Secure access to the working platform
- Hoses and cables are inside the boom structure for maximum protection
- Aluminium boom for optimum stability

## AERIAL PLATFORM OPTIONS

- Signalling devices (triflash, 2 flashing lights, reflective strips)
- 220V electric socket in the basket
- Reinforced suspensions
- Fully opening insulated basket
- Custom fitting out of vehicles
- Side ladder rack
- Fibre optic kit (hatch + solder support)
- Green Pack: the platform can be operated with the van engine turned off

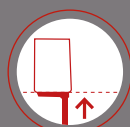
For more platform options, please contact us before ordering



11.40m  
(37'5")



6.80m  
(22'4")



9.40m  
(30'10")



360°



120kg



No outriggers



86 x 72 x 110cm



Hour  
counter



≤3.5 T



## POSSIBLE TYPES OF VEHICLES

- RENAULT TRAFIC L1H1
- PEUGEOT EXPERT L2H1

For vehicles options, please contact us before

## / DEMONSTRATION ON DEMAND

**KLUBB** | KL21B