

# KL32

# KLUBB®

CONFIDENCE AT ITS HIGHEST LEVEL

## AERIAL PLATFORM MOUNTED ON VAN



Working height



New model  
**140 kg**  
additional  
payload



Kunze GmbH  
+49 8062 726110  
<https://www.kunze-buehnen.com/>  
Hermann-Oberth-Straße 3  
D- 83052 Bruckmühl Germany

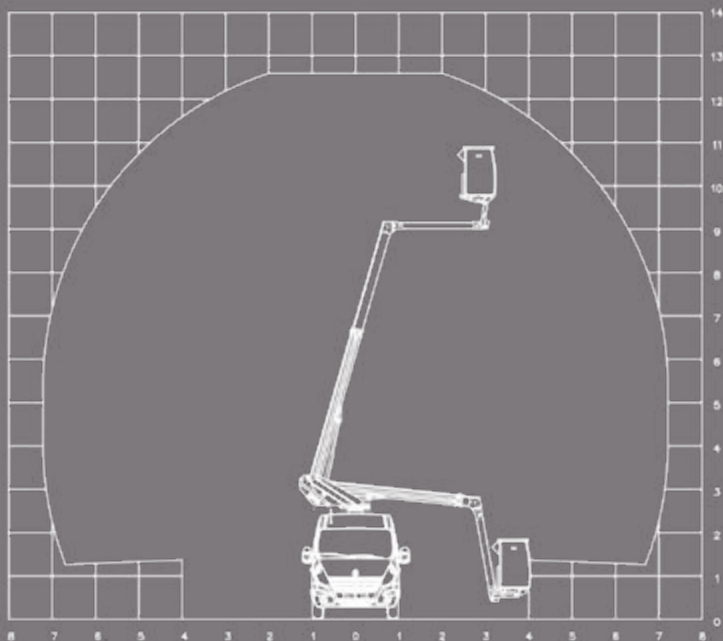


# KL32 TELESCOPIC AERIAL PLATFORM

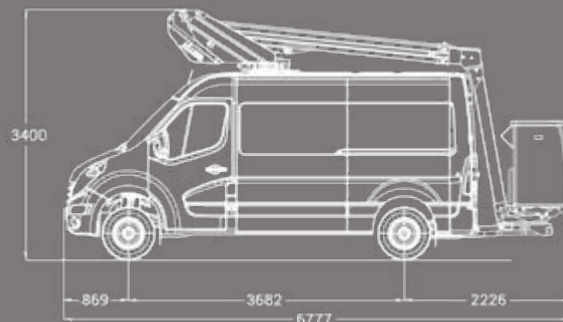
mounted on van

# KL32

## WORKING DIAGRAM



## VEHICLE DRAWING



## STANDARD SPECIFICATIONS

- 140kg additional payload compared to previous model
- Engine start and stop from basket
- Independant emergency electric pump with all the features in the basket for maximum security
- Proportional controls on all movements
- Secure access to the working platform
- Hoses and cables are inside the boom structure for maximum protection
- Aluminium boom for optimum stability

## AERIAL PLATFORM OPTIONS

- \*2 men basket (200kg) with outriggers
- Signaling devises (triflash, 2 flashing lights, reflective strips)
- 220V electric socket in the basket
- Trailer hook
- Reinforced suspensions
- Fully opening insulating baasket
- Custom fitting out of vehicles
- Side ladder rack
- Rotating basket
- Green Pack : the platform can be operated with the van engine turned off

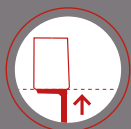
For more platforms options, please contact us before order



12.50m  
(41'0")



7.30m  
(23'11")



10.50m  
(34'2")



360°



120kg  
\*200kg



No outriggers  
\*2 outriggers



86 x 72 x 110cm  
\*125 x 75 x 110cm



Hour  
counter



≤3.5 T



## POSSIBLE TYPES OF VEHICLES

- RENAULT MASTER L2H2
- OPEL MOVANO L2H2
- NISSAN NV400 L2H2
- CITROEN JUMPER L2H2
- IVECO DAILY (wheelbase 3520)
- PEUGEOT BOXER L2H2
- MERCEDES SPRINTER (wheelbase 3665)
- VOLKSWAGEN CRAFTER (wheelbase 3640)
- FORD TRANSIT L2H2
- FIAT DUCATO MH2

## / DEMONSTRATION ON DEMAND

For vehicle options, please contact us before ordering

**KLUBB** KL32