

K20

KLUBB®

CONFIDENCE AT ITS HIGHEST LEVEL

ELECTRIC AERIAL PLATFORM MOUNTED ON NISSAN e-NV200



Working height



Kunze GmbH
+49 8062 726110
<https://www.kunze-buehnen.com/>
Hermann-Oberth-Straße 3
D- 83052 Bruckmühl Germany

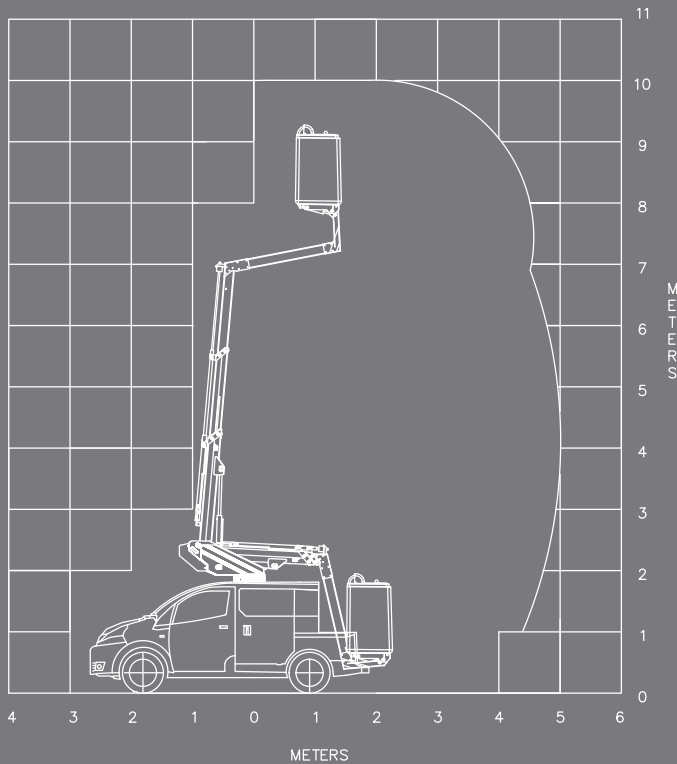


K20 TELESCOPIC AERIAL PLATFORM

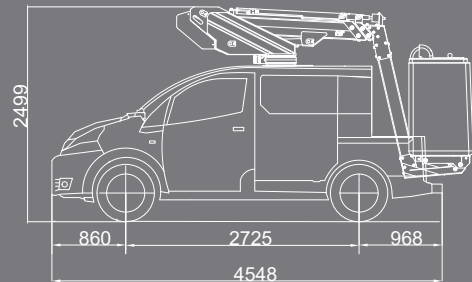
mounted on cutaway van



WORKING DIAGRAM



VEHICLE DRAWING



STANDARD SPECIFICATIONS

- Electropump on lithium battery
- Independent emergency manual pump with all the features in the basket for maximum security
- Proportional controls
- Secure access to the working platform
- Hoses and cables are inside the boom structure for maximum protection
- Aluminium boom for optimum stability

AERIAL PLATFORM OPTIONS

- Signalling devices
- 220V electric socket in basket
- Reinforced suspensions
- Trailer hook
- Fully opening insulated basket
- Custom fitting out of vehicles
- Side ladder rack

For more platform options, please contact us before ordering



100 %
electric



10m
(32'10")



5m
(16'5")



8m
(26'3")



420°



120kg



No outriggers 80 x 75 x 110cm



Hour
counter



≤3.5 T



POSSIBLE TYPES OF VEHICLES

- NISSAN e-NV200

For vehicle options, please contact us before ordering

DEMONSTRATION ON DEMAND