

SPIDER 15.70

TRACKED AERIAL WORKING PLATFORMS

EN



PL / **TFORM**
B A S K E T

RAISING THE STANDARD

Made in Italy



SERIES SPIDER 15.70

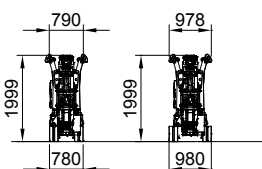
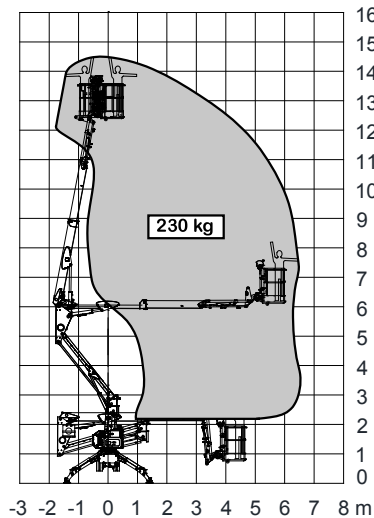
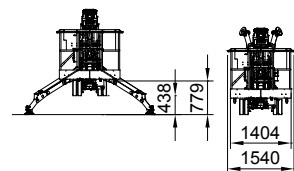
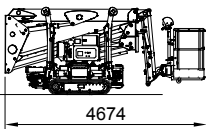
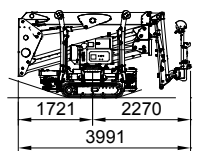
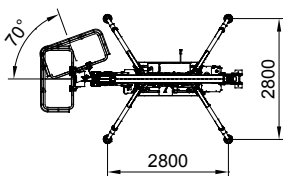
The most advanced technology for a lightweight and compact platform

- Available as Three-phase motor + lithium-ion batteries or fully electric battery version
- 230 kg load capacity in the basket, without any restrictions
- RADIO-type remote control with DISPLAY in standard production
- Compact, 3x3 m ground footprint and automatic stabilisation in standard production

- Diagnostic display on the ground panel and PBT (Platform Basket Telematics)
- Double articulation for excellent obstacle clearance and vertical wall movement with constant distance
- Total protection at the base of the platform with steel casing
- Air/water and 230Vac sockets in the basket in standard production
- **Lightweight and compact, ideal for light trailer transport**
- Optional interchangeable hydraulic winch with 250 kg load capacity



campbellsv.com 41821



TECHNICAL SPECIFICATIONS				
	STD	E	ED	
Maximum working height	m	14,50		
Floor height	m	12,50		
Maximum side outreach	m	6,50		
Rotation angle of the tower	°	360		
Aluminium basket dimensions	m	1,50 x 0,70		
Basket rotation angle	°	70°		
Maximum capacity of basket	Kg	230		
Length closed (basket disassembled)	m	4,67 3,99		
Minimum width closed	m	0,79		
Minimum height closed	m	1,99		
Overall dimensions Stabilization	m	2,80 x 2,80		
Maximum horizontal inclination	degrees/%	18°		
Maximum side inclination	degrees/%	18°		
Maximum speed	Km/h	2,0	2,0	2,0
WEIGHTS		STD	E	ED
Weight in work conditions*	Kg	1950*	2100*	2100*
Ground pressure stowed machine	KN/m²	2,0	2,9	2,9
Ground pressure when on stabilizers	KN/m²	2,5	2,7	2,7
Max point load on one stabilizer	KN	11,9	11,9	11,9
POWER		STD	E	ED
HONDA Igx 390 motor	CV/KW	12/3600	-	-
Electric motor 220 Vac	CV/KW	3/2,2	3/2,2	-
Electric motor 24 Vdc	CV/KW	-	5,4/4	5,4/4
Traction battery capacity	Ah	-	300	200
		24Vdc Lead Acid		24Vdc Lithium Ion

* Subject to change depending on configuration.