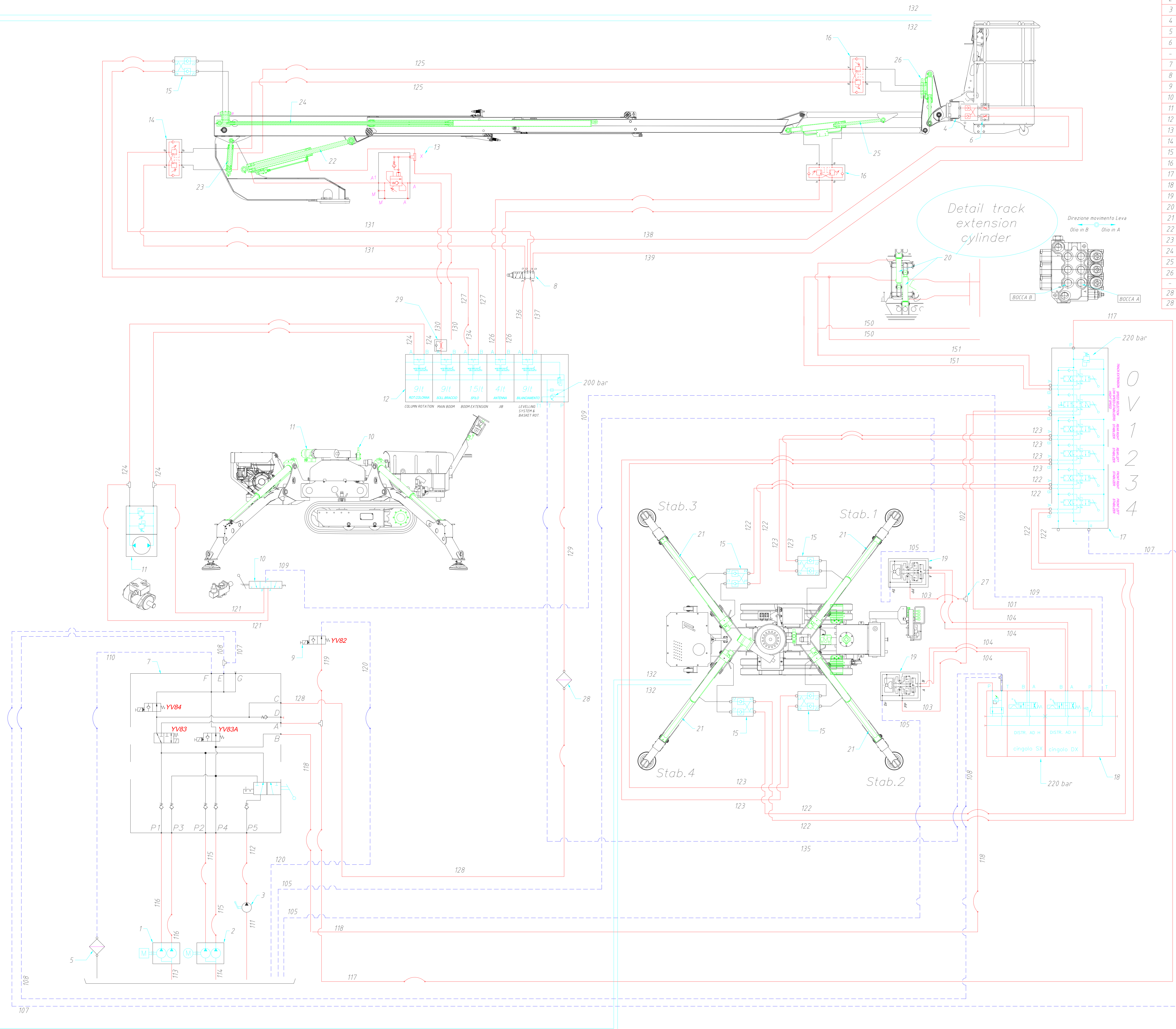


| Pos | Codice | Denominazione | N° pz | |
|-----|------------|---------------------------------|-------|-------------------------------------|
| 1 | 407149 | DOUBLE PUMP | 1 | OT100 P25+25 D/B 18 P1/1 |
| 2 | 407141 | DOUBLE PUMP | 1 | ALPC1-D-5/5-D-AC21-P433 (3,5+3,5cc) |
| 3 | 407001 | HAND PUMP | 1 | 20 CC + LEVA/MANOPOLA |
| 4 | 44.1006 | ROTARY ACTUATOR +CHECK VALVE | 1 | RP.17/L28P1S2VP |
| 5 | 377036 | RETURN FILTER OIL | 1 | MPT0202CAG3A25HCP1 |
| 6 | 370248 | ONE WAY ADJUSTABLE RESTRICTOR | 2 | - |
| - | - | - | - | - |
| 7 | 526137 | MANIFOLD VALVES +EV2/2+VU+RUB | 1 | - |
| 8 | 395031 | SIX WAY SOLENOID VALVE | 1 | - |
| 9 | 526003 | DISCHARGE VALVE 10-NA-1/2 CEI | 1 | - |
| 10 | 395033 | DISTRIBUTOR DFS/3BBL 3VIE 3/8" | 1 | - |
| 11 | 410036 | HYDRAULIC MOTOR MGL 160 A 25 | 1 | - |
| 12 | 375695 | TURRET ELECTRIC DISTRIBUTOR | 1 | - |
| 13 | 370233 | SINGLE WAY OVERCENTER VALVE | 1 | 1/4" FLANG (CON ATT. DOPPI) |
| 14 | 370072 | TWO WAY OVERCENTER VALVE | 1 | VBSO DE NN 38 35 |
| 15 | 370215 | DUAL CHECK VALVE | 5 | VSO-DE-FCB |
| 16 | 370081 | TWO WAY OVERCENTER VALVE | 2 | VBSO DE FCB NN 38 35 |
| 17 | 375193 | HAND DISTRIBUTOR | 1 | BLB BM20/6 |
| 18 | 375696 | TRASLATION ELECTRIC DISTRIBUTOR | 1 | IS02311002 |
| 19 | 409053 | TWO SPEED HYDRAULIC MOTOR | 2 | EATON TRVB 355cc |
| 20 | 4871050200 | EXTENSION TRACK CYLINDER | 2 | - |
| 21 | 4871150199 | STABILIZER CYLINDER | 4 | - |
| 22 | 4872050199 | BOOM CYLINDER | 1 | - |
| 23 | 4803050699 | PUMP LEVELING SYSTEM CYLINDER | 1 | - |
| 24 | 4874050199 | EXTENSION BOOM CYLINDER | 1 | - |
| 25 | 4875050199 | JIB CYLINDER | 1 | - |
| 26 | 4875050299 | LEVELING SYSTEM CYLINDER | 1 | - |
| - | - | - | - | - |
| 28 | 377091 | HIGHT PRESSURE FILTER | 1 | - |
| 28 | ----- | ONE WAY RESTRICTOR HOLE 1.2 mm | 1 | - |

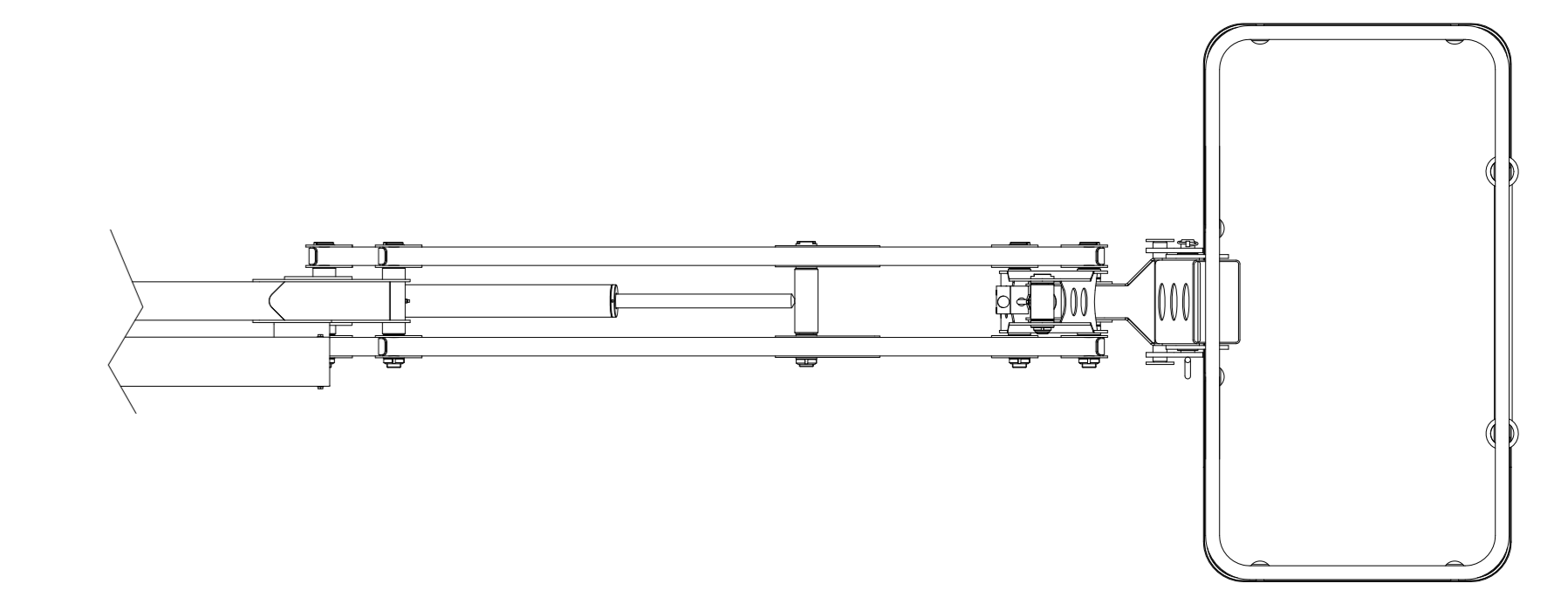


FUNCTION LIST OF SAFETY VALVE:
-YV84 MAIN DIRECT RELIEF VALVE AERIAL MOVEMENTS, 2 WAY-2 POSITION NORMALLY OPEN
The control of this valve depends from correct stabilizers position and depend from limiting extension boom device.

-YV83 EXCHANGE VALVE AERIAL MOVEMENTS DISTRIBUTOR /STABILIZERS DISTRIBUTOR
When aerial parts are completely stowed this valve is energized and oil goes into stabilizers distributor; when machine is stabilized but not stowed this valve isn't energized and oil goes to aerial movements.

-YV82 DIRECT RELIEF VALVE STABILIZERS DISTRIBUTOR 2 WAY-2 POSITION NORMALLY OPEN
Normally this valve is open end oil is discharge; only when aerial parts are completely stowed this valve is energized and oil goes in stabilizer distributor.

-YV83A DIRECT RELIEF VALVE TRACK SX, VALVE 2 WAY-2 POSITION NORMALLY OPEN
Normally this valve is open end oil is discharge; only when aerial parts are completely stowed this valve is energized and oil goes in left track hydraulic motor.



VALIDO DAL 01/02/2016
VALID FROM 01/02/2016

| | | | | | |
|--|--------------------------------------|--|---|---|------------|
| PLATFORM BASKET <small>SELF-PROPELLED AERIAL WORK PLATFORMS</small> | | TOLLERANZA GENERALE DI LAVORAZIONE Grado di precisione medio: UNI 5307-63 | | È presente disegno di proprietà PlatformBasket. Senza specifica autorizzazione scritta della stessa non può essere copiato, riprodotto, messo a disposizione o comunicato a terzi. A.S. Società proprietaria tutela i propri diritti in ogni legge. | |
| Materiale | Grezzo | 1 | 2 | 3 | Data: |
| Stato | TRATTAMENTI TERMICI SUL PEZZO | | | | 15/06/2016 |
| DENOMINAZIONE WITH 6 LEVERS STABILIZERS DISTRIBUTOR IN ACCORDANCE WITH AS/NZS 14-18.10-2011 | | Scala Disegnato M.Galimberti | | Indice Correlato | |
| Gruppo | Hydraulic scheme | | | | |
| Tipo | Spider 1365-1380 | | | | |
| DIS. N. | | 4878060400 | | | |