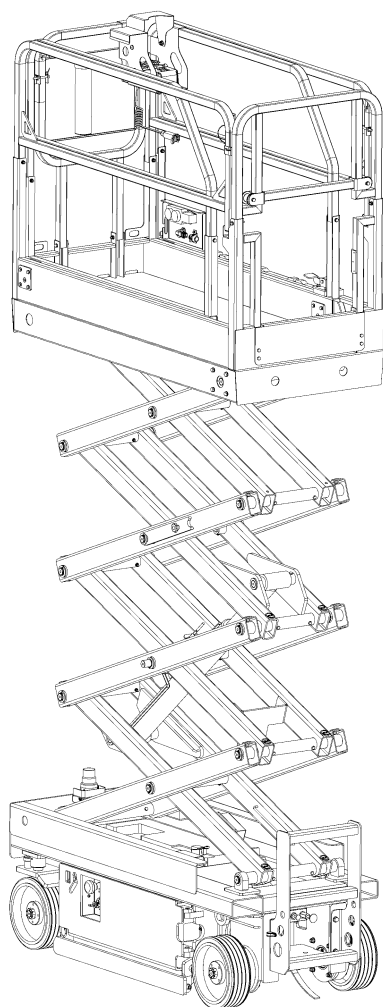


PART MANUAL

S Series

EL6-S – EL8-S



ELS LIFT

CE

OUTPOWER
THE GRAVITY.

Revision History



DATE	UPDATE
April 2022	New Release
September 2022	Machine Specifications, Number and Location of Decals, Park Release Manifold, Battery Pack Unit, Power Unit, Order of Scissors General View and Scissors Assembly, Platform Assembly, Hydraulic Diagram, Hydraulic Circuit, Electrical Circuit, Limited Owner Warranty

ELS strives to provide the highest possible degree of accuracy. However, continuous improvement of our products is ELS policy. Therefore, product specifications and content of manuals are subject to change without notice.

Table of Contents

INTRODUCTION	1	Platform Assembly.....	43
Description	1	Main Platform Assembly	45
How to Order Parts	2	Saloon Door Assembly (Optional)	47
Parts Order Form	3	Platform Extension Assembly	49
Specifications	4	Platform Extension Lock	51
SECTION 1 – DECALS	5	Platform Control Unit Assembly.....	52
SECTION 2 – CHASSIS	13	SECTION 5 – HYDRAULIC DIAGRAM	53
Steer Axle and Wheels	14	SECTION 6 - HYDRAULIC CIRCUIT	55
Non-steer Axle and Wheels	16	SECTION 7 – ELECTRICAL CIRCUIT	56
Emergency Lowering and Counterweight	17	LIMITED OWNER WARRANTY	57
Park Release Manifold.....	19		
Pothole Protection Assembly	20		
Safety Equipments	22		
Battery Pack Unit	24		
Ground Controls.....	26		
Power Unit.....	27		
Hydraulic Power Unit	29		
Function Manifold.....	30		
Hydraulic Tank Assembly	31		
SECTION 3 – SCISSORS	32		
General View (EL6-S).....	32		
General View (EL8-S).....	33		
Scissor Assembly Installation	34		
Scissor Assembly (EL6-S)	36		
Scissor Assembly (EL8-S)	38		
Lift Cylinder	40		
Lift Cylinder Block	41		
SECTION 4 – PLATFORM	42		

INTRODUCTION

This manual introduces the detailed information about machine spare parts. Every person who maintains, inspects, tests or repairs the machine must be qualified and authorized to do.

You should contact ELS Lift when you come across a situation other than described in this part manual.

Contact Us: info@elslift.com

aftersales@elslift.com

DESCRIPTION

Machine Designation

Machines are identified by the manufacture, according to some technical specifications of the machine.

Description of Part Table

Every figure has a table which is described of part's quantity, item, number, description.

Part Manual Layout

Manual is designed under section titles of machine. Chassis, scissor, platform are examples of some titles of machine.

Non-Serviced Parts

In some cases, it is necessary to Show the parts and assemblies that do not require non-serviced parts. These parts in the part table are indicated as "no longer used" or "not sold separately".

HOW TO ORDER PARTS

When ordering replacement parts, please have the following machine information.

- Machine model number
- Machine serial number
- ELS part number
- Part description
- Quantity of part
- Purchase order number
- Vat number
- Address for order to ship
- Desired method of shipment

Use the Part Order Form on the next page and mail or call your order to our After Sales Department.



USE THE ORIGINAL ELS SPARE PARTS FOR YOUR SAFETY!

Turkey

ELS Lift Makine Sanayi Ticaret A.Ş

Organize Sanayi Bölgesi Lacivert Cadde No:11 16140

Nilüfer / Bursa / TÜRKİYE

info@elslift.com

aftersales@elslift.com

[Tel: +90 542 464 82 50](tel:+905424648250)

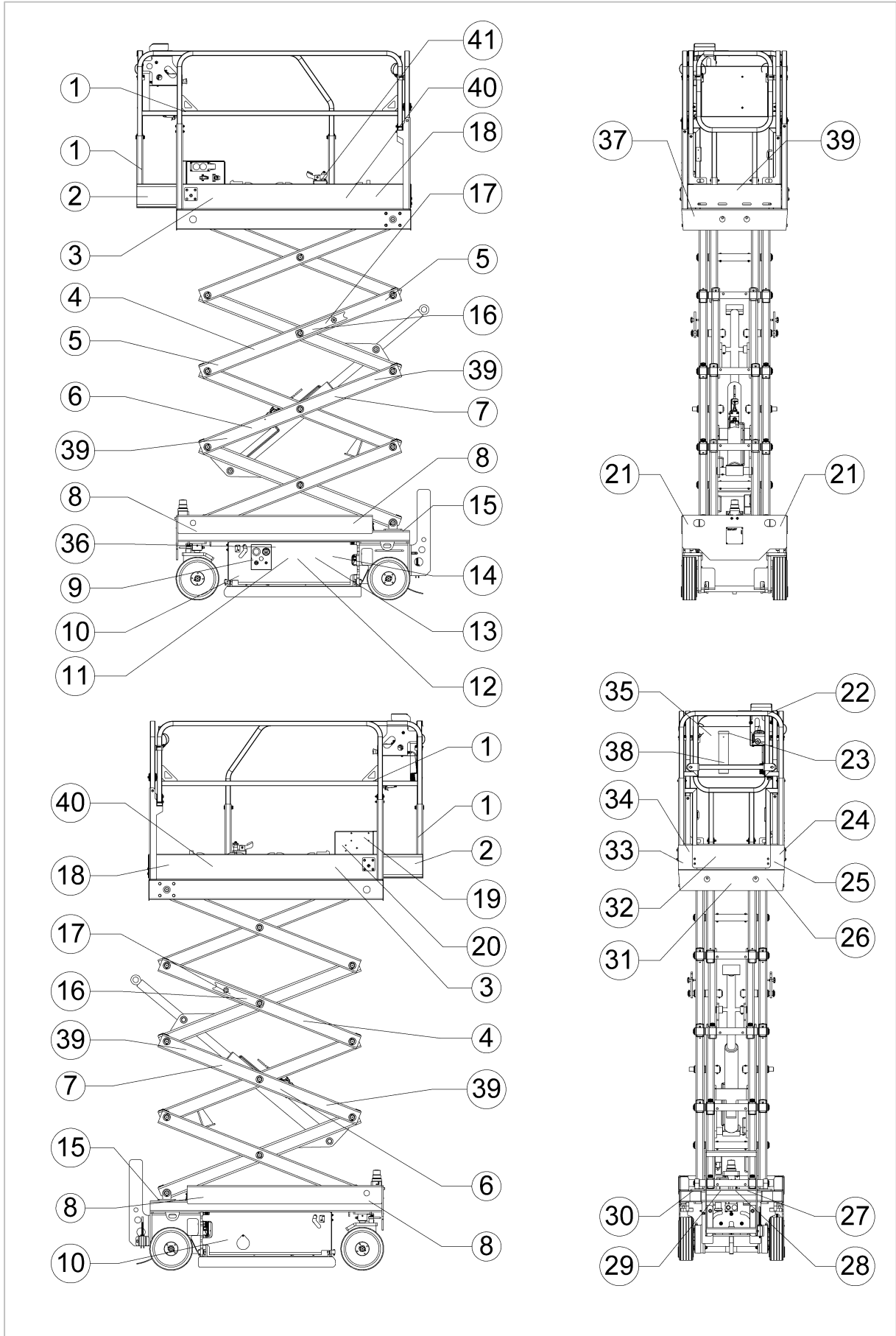
PARTS ORDER FORM

Machine Model Number	
Machine Serial Number	
ELS Part Number	
Part Description	
Quantity of Part	
Purchase Order Number	
Vat Number	
Address for Order to Ship	
Desired Method of Shipment	

SPECIFICATIONS

MODEL		EL6-S	EL8-S
Working Height		6,0 m	7,6 m
Platform Floor Height	<i>Elevated</i>	4,0 m	5,6 m
Top Guardrail Height	<i>Stowed</i>	2,08 m	2,19 m
Horizontal Reach	<i>max</i>	0,87 m	0,87 m
Width - Overall		0,76 m	0,76 m
Length - Overall	<i>Stowed</i>	1,83 m	1,83 m
Maximum Lift Capacity		250 kg	230 kg
Maximum Operating Wind Speed		45,0 km/s	45,0 km/s
Wheel Base		1,37 m	1,37 m
Batteries		4x6 V / 225 A/h	4x6 V / 225 A/h
Drive Speed	<i>Stowed</i>	4,5 km/s	4,5 km/s
Drive Speed	<i>Elevated</i>	0,6 km/s	0,6 km/s
Maximum Vibration		2,5 m/s ²	2,5 m/s ²
Toeboard Height		0,02 m	0,02 m
Machine Weight	<i>Unloaded</i>	1480 kg	1620 kg
Noise Pressure	<i>Ground</i>	<70 dBA	<70 dBA
Noise Pressure	<i>Platform</i>	<70 dBA	<70 dBA
Platform Length		1,70 m	1,70 m
Platform Width		0,78 m	0,78 m
Controls		24V DC Proportional	24V DC Proportional
Battery Charger		24V / 30A	24V / 30A
Tire Size		Ø12,5 x 4,25"	Ø12,5 x 4,25"
Gradeability X,	<i>Stowed</i>	14°	14°
	<i>Elevated</i>	2°	2°
Gradeability Y,	<i>Stowed</i>	9°	9°
	<i>Elevated</i>	3°	3°

SECTION 1 – DECALS



①



Code : 41300023
Quantity : 4

②-1



Code : 413000013
Quantity : 2

②-2



Code : 413001013
Quantity : 2

②-3



Code : 413002013
Quantity : 2

②-4



Code : 413003013
Quantity : 2

③-1



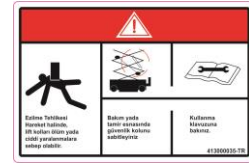
Code : 413010602
Quantity : 2

③-2



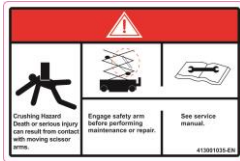
Code : 413010502
Quantity : 2

④-1



Code : 413000035
Quantity : 2

④-2



Code : 413001035
Quantity : 2

④-3



Code : 413002035
Quantity : 2

④-4



Code : 413003035
Quantity : 2

⑤



Code : 413000008
Quantity : 4

⑥



Code : 413000026
Quantity : 2

⑦



Code : 413000027
Quantity : 2

⑧-1



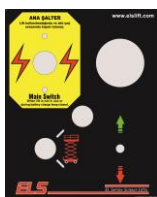
Code : 413000051
Quantity : 4

⑧-2



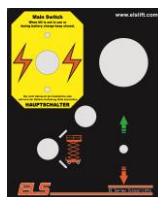
Code : 413000049
Quantity : 4

⑨-1



Code : 413200002
Quantity : 1

⑨-2



Code : 413201002
Quantity : 1

⑨-3



Code : 413202002
Quantity : 1

⑩



Code : 413000031
Quantity : 2

11



Code : 413000007
Quantity : 1

12



Code : 413000002
Quantity : 1

13



Code : 413000001
Quantity : 1

14



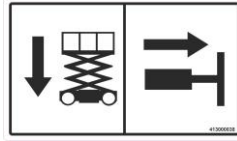
Code : 413000018
Quantity : 1

15



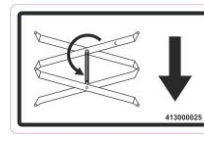
Code : 413000015
Quantity : 2

16



Code : 413000038
Quantity : 1

17



Code : 413000025
Quantity : 2

18

ELS LIFT

Code : 413000122
Quantity : 2

19



Code : 413000017
Quantity : 1

20



Code : 413000019
Quantity : 1

21



Code : 413000010
Quantity : 4

22-1



Code : 413000029
Quantity : 1

22-2



Code : 413001029
Quantity : 1

22-3



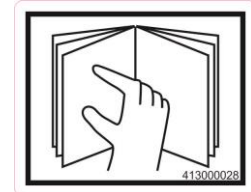
Code : 413002029
Quantity : 1

22-4



Code : 413003029
Quantity : 1

23



Code : 413000028
Quantity : 1

24



Code : 413000003
Quantity : 2

25



Code : 413000011
Quantity : 1

26



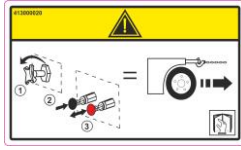
Code : 413000105
Quantity : 1

27



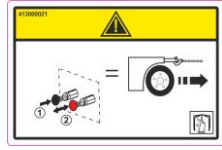
Code : 413000037
Quantity : 1

28



Code : 413000020
Quantity : 1

29



Code : 413000021
Quantity : 1

30-1

ELS LIFT	
Machine Type / Machine Type	EL 6-S
Model / Model	EL 6-S
CE Marking / Serial Number	1400 Kg
Rated Capacity / Rated Capacity	20
Rated Vt / Year of Manufacture	2014/14
Rated Vt / Country of Manufacture	Italy/Italy
Rated Vt / Manufacturer	ELS LIFT
Rated Vt / Availability	25 %
Rated Vt / Battery Charger	220 V/1
Rated Vt / Max. Load	220 Kg / 110 Kg
Rated Vt / Max. Platform Height	20 / 20
Rated Vt / Max. Total Weight / Lateral Force Max.	400 N / 200 N
Rated Vt / Max. Platform Size / Wheel Spacing Max.	0.80 m / 0.80 m
Rated Vt / Max. Platform Length / Max. Platform Width	1.70 m / 1.70 m

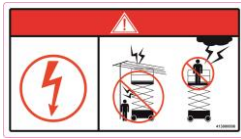
Code : 413100005
Quantity : 1

30-2

ELS LIFT	
Machine Type / Machine Type	EL 8-S
Model / Model	EL 8-S
CE Marking / Serial Number	1600 Kg
Rated Capacity / Rated Capacity	20
Rated Vt / Year of Manufacture	2014/14
Rated Vt / Country of Manufacture	Italy/Italy
Rated Vt / Manufacturer	ELS LIFT
Rated Vt / Availability	25 %
Rated Vt / Battery Charger	220 V/1
Rated Vt / Max. Load	220 Kg / 110 Kg
Rated Vt / Max. Platform Height	20 / 20
Rated Vt / Max. Total Weight / Lateral Force Max.	400 N / 200 N
Rated Vt / Max. Platform Size / Wheel Spacing Max.	0.80 m / 0.80 m
Rated Vt / Max. Platform Length / Max. Platform Width	1.70 m / 1.70 m

Code : 413100007
Quantity : 1

31



Code : 413000006
Quantity : 1

32-1



Code : 413000048
Quantity : 1

32-2



Code : 413000050
Quantity : 1

33



Code : 413000033
Quantity : 1

34-1



Code : 413000004
Quantity : 1

34-2



Code : 413001004
Quantity : 1

34-3



Code : 413002004
Quantity : 1

34-4



Code : 413003004
Quantity : 1

34-5



Code : 413005004
Quantity : 1

35



Code : 413000034
Quantity : 1

36-1



Code : 413100006
Quantity : 1

36-2



Code : 413100008
Quantity : 1

37

ELS LIFT		QUIN CONTROL TAKEP KEY	
Color	KALIMAZION	TEST	FRENCH
Symbol	→ / ← / 20	→ / ← / 20	→ / ← / 20
ENEMY			

Code : 413000116
Quantity : 1

38



Code : 413000121
Quantity : 1

39



Code : 413000113
Quantity : 3,9 m

40



Code : 413000115
Quantity : 2,9 m

④



Code : 413000119
Quantity : 0,05 m

Code :
Quantity :

Code :
Quantity :

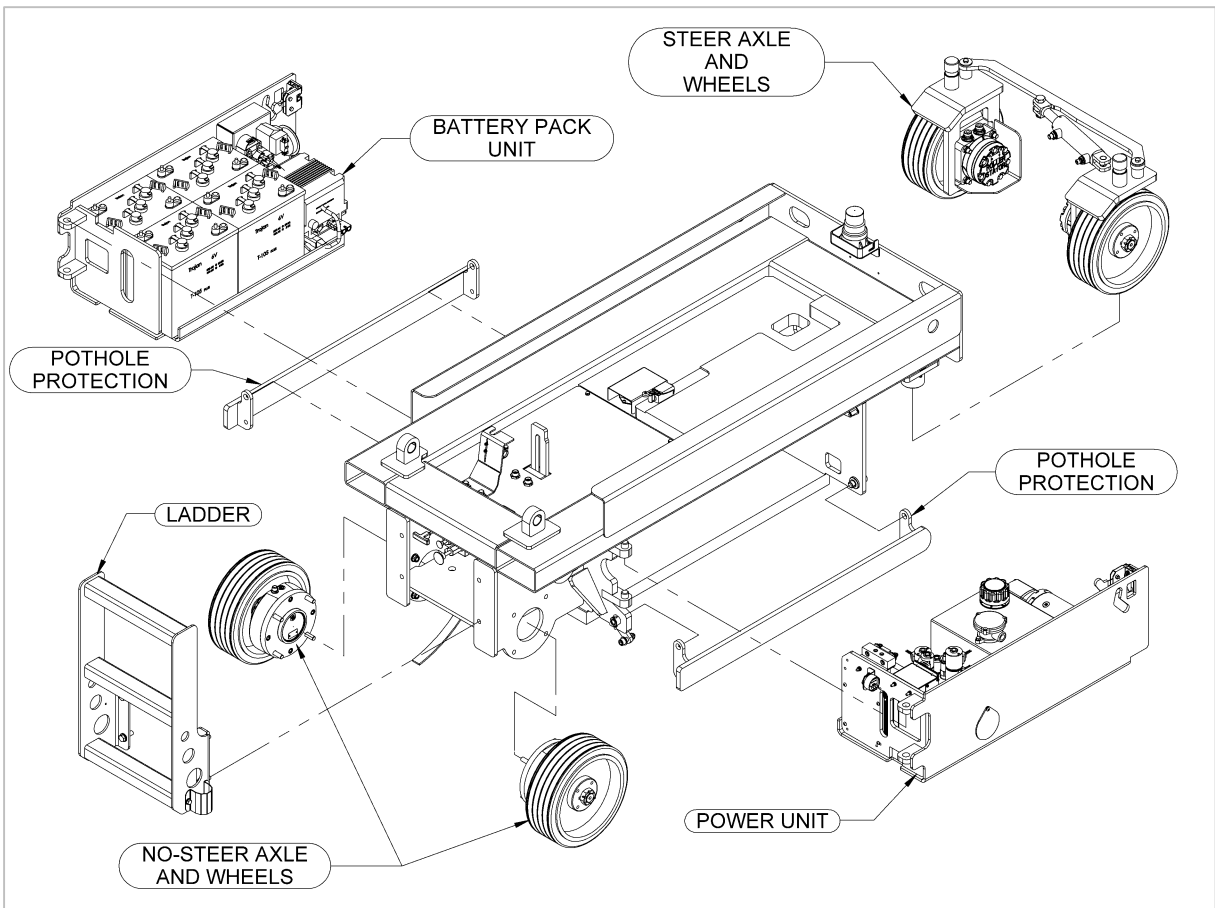
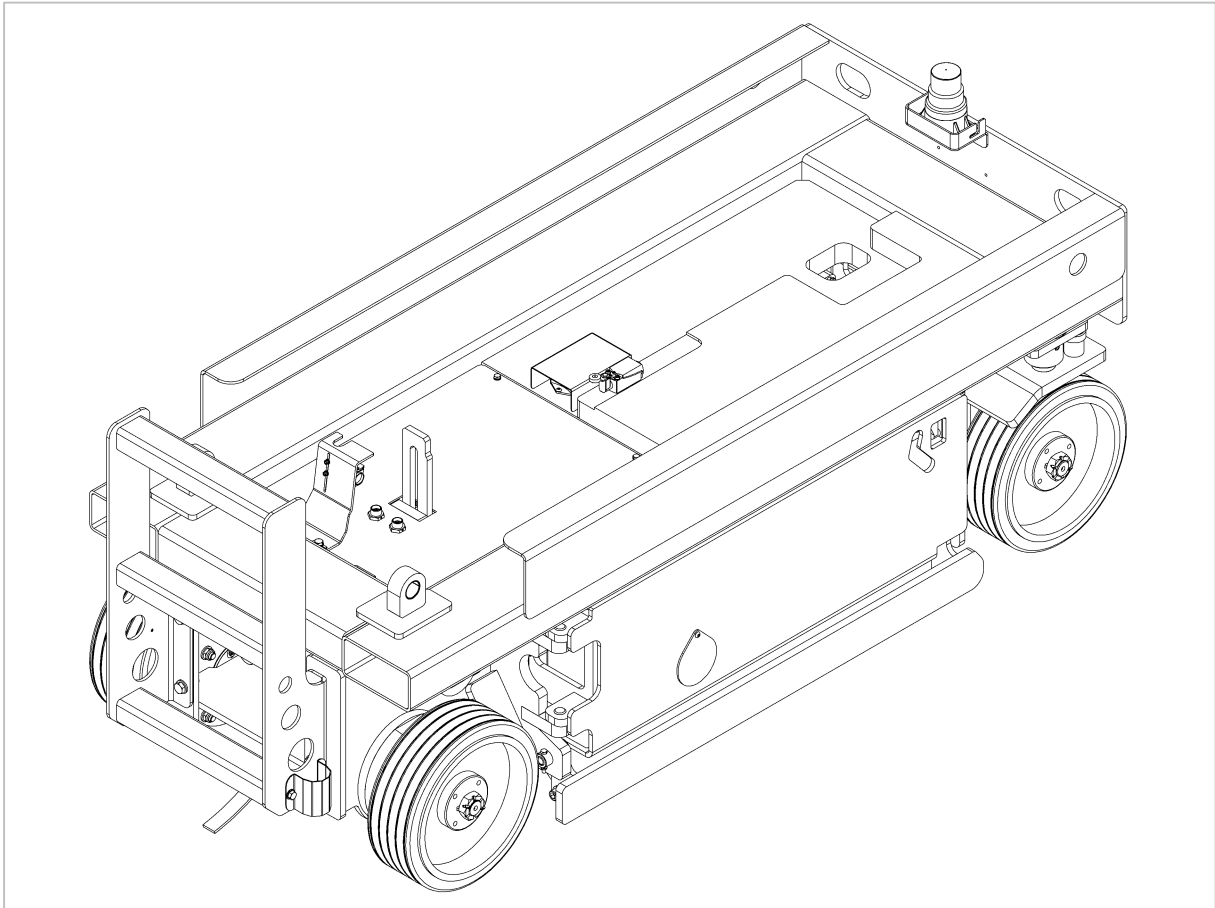
Code :
Quantity :

ITEM	PART NO	DESCRIPTION	QTY.
①	413000023	Decal, Lifting Eye	4
②-1	413000013	Decal, Do not stand under raised platform TR	2
②-2	413001013	Decal, Do not stand under raised platform EN	2
②-3	413002013	Decal, Do not stand under raised platform DE	2
②-4	413003013	Decal, Do not stand under raised platform FR	2
③-1	413010602	Decal, Label “EL8-S”	2
③-2	413010502	Decal, Label “EL6-S”	2
④-1	413000035	Decal, Usage and Maintenance Warning TR	2
④-2	413001035	Decal, Usage and Maintenance Warning EN	2
④-3	413002035	Decal, Usage and Maintenance Warning DE	2
④-4	413003035	Decal, Usage and Maintenance Warning FR	2
⑤	413000008	Decal, Crush Hazard	4
⑥	413000026	Decal, Label “KEEP”	2
⑦	413000027	Decal, “CLEAR”	2
⑧-1	413000051	Decal, Wheel Load EL8-S	4
⑧-2	413000049	Decal, Wheel Load EL6-S	4
⑨-1	413200002	Decal, Ground Control Panel TR-EN	1
⑨-2	413201002	Decal, Ground Control Panel DE-EN	1
⑨-3	413202002	Decal, Ground Control Panel FR-EN	1
⑩	413000031	Decal, Crush Hazard	2
⑪	413000007	Decal, General Warnings	1
⑫	413000002	Decal, Battery Recharge Period	1
⑬	413000001	Decal, Charging Warning	1
⑭	413000018	Decal, Power to Platform Information	1
⑮	413000015	Decal, Transport Point	2
⑯	413000038	Decal, Emergency Lowering	1
⑰	413000025	Decal, Maintenance Bar Warning	2
⑱	413000122	Decal, Label “ELS LIFT”	2
⑲	413000017	Decal, Plug Power Information	1
⑳	413000019	Decal, Power	1

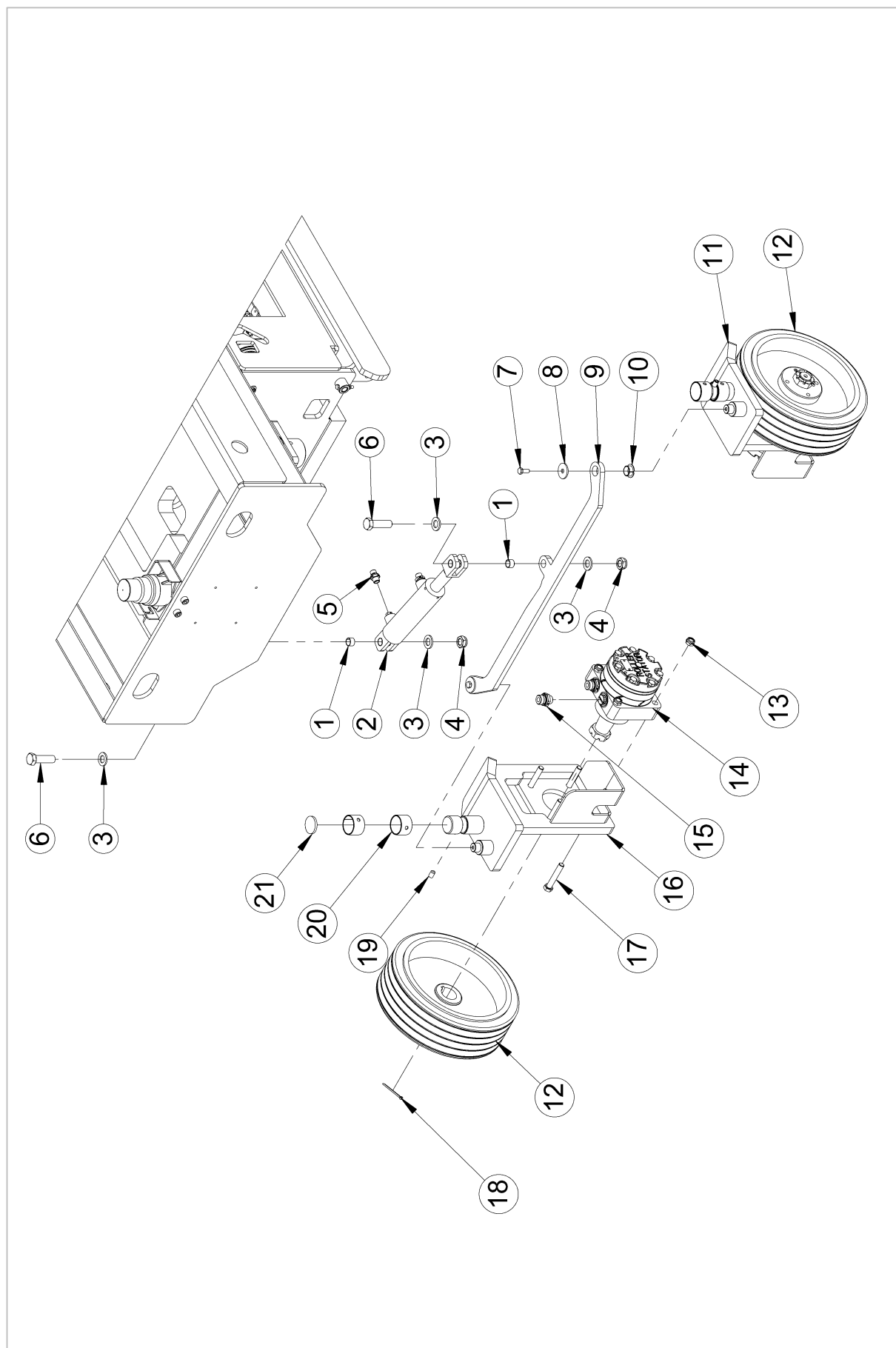
ITEM	PART NO	DESCRIPTION	QTY.
②1	413000010	Decal, Lifting Point	4
②2-1	413000029	Decal, Check If the Manuals Are In Place TR	1
②2-2	413001029	Decal, Check If the Manuals Are In Place EN	1
②2-3	413002029	Decal, Check If the Manuals Are In Place DE	1
②2-4	413003029	Decal, Check If the Manuals Are In Place FR	1
②3	413000028	Decal, Read the Operators Manual	1
②4	413000003	Decal, Improper Use Warning	2
②5	413000011	Decal, Entry Gate Warning	1
②6	413000105	Decal, Label "YERLİ ÜRETİM"	1
②7	413000037	Decal, Forklift Point	1
②8	413000020	Decal, Brake Release Safety and Operating Instructions	1
②9	413000021	Decal, Brake Release Safety and Operating Instructions	1
③0-11	413100005	Product Plate, EL6-S TR-EN	1
③0-12	413101005	Product Plate, EL6-S DE-EN	1
③0-13	413102005	Product Plate, EL6-S FR-EN	1
③0-21	413100007	Product Plate, EL8-S TR-EN	1
③0-22	413101007	Product Plate, EL8-S DE-EN	1
③0-23	413102007	Product Plate, EL8-S FR-EN	1
③1	413000006	Decal, Electrocutation Hazard	1
③2-1	413000048	Decal, Indoor & Outdoor Usage EL6S	1
③2-2	413000050	Decal, Indoor & Outdoor Usage EL8S	1
③3	413000033	Decal, Fall Hazard	1
③4-1	413000004	Decal, Usage Advices TR	1
③4-2	413001004	Decal, Usage Advices EN	1
③4-3	413002004	Decal, Usage Advices DE	1
③4-4	413003004	Decal, Usage Advices FR	1
③4-5	413005004	Decal, Usage Advices RU	1
③5	413000034	Decal, No Smoking	1
③6-1	413100006	Serial Number Plate, EL6-S	1
③6-2	413100008	Serial Number Plate, EL8-S	1

ITEM	PART NO	DESCRIPTION	QTY.
③⑦	413000116	Decal, Product Control Card	1
③⑧	413000121	Decal, Label “ELS”	1
③⑨	413000113	Decal, Reflector	3,9 m
④⑩	413000115	Decal, Anti Slip Tape	2,9 m
④①	413000119	Decal, Anti Slip Tape	0,05 m

SECTION 2 – CHASSIS

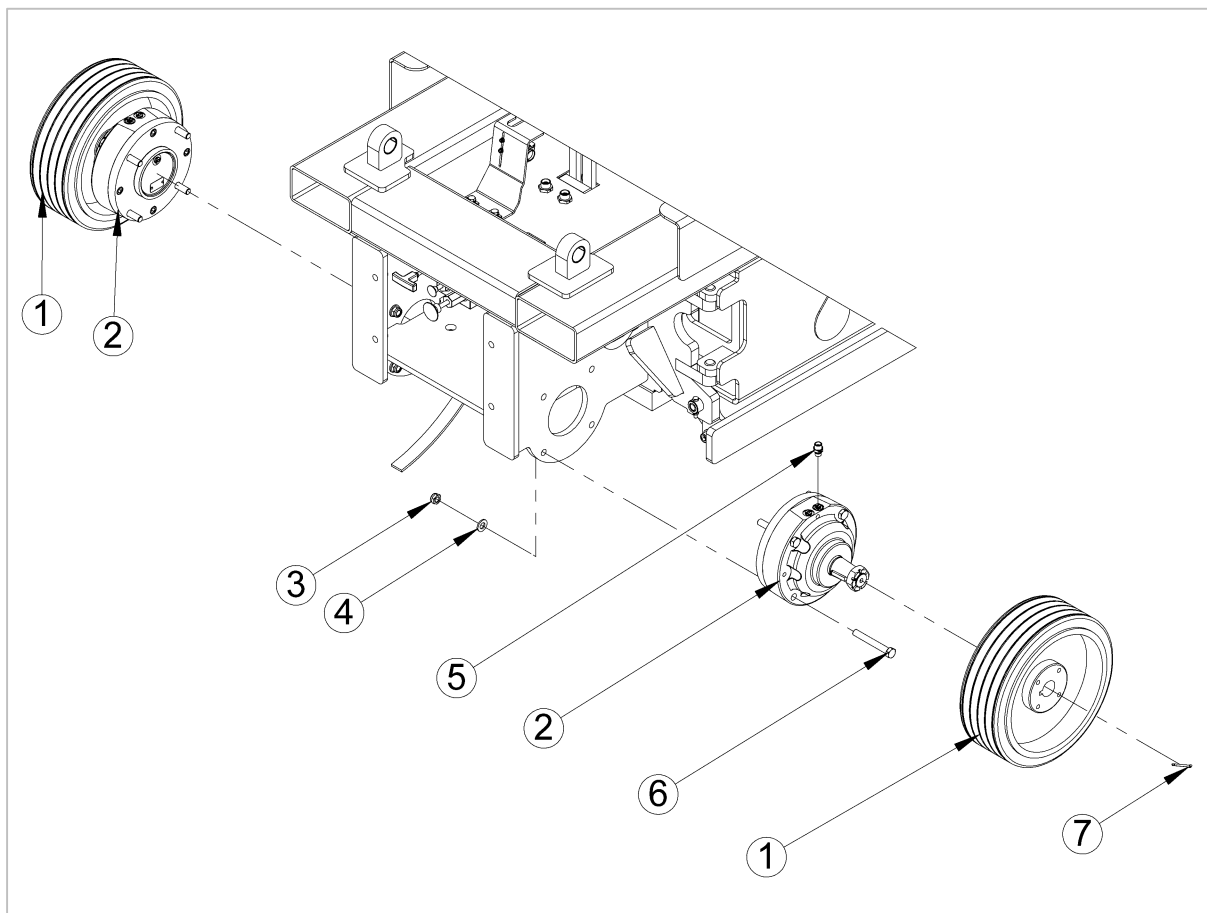


STEER AXLE AND WHEELS



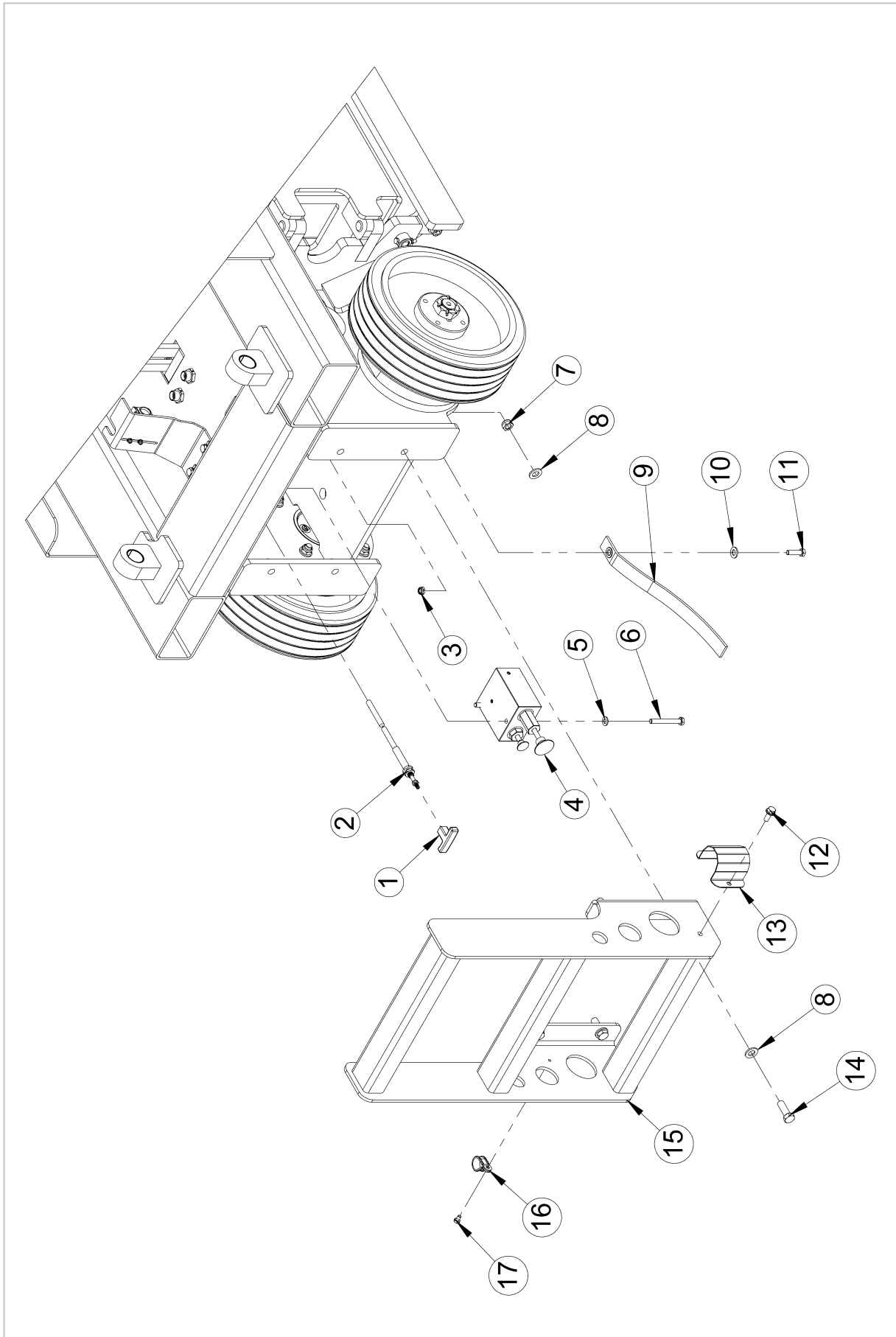
ITEM	PART NO	DESCRIPTION	QTY.
1	5480610160120000	BUSHING	2
2	5404305100040000	STEERING CYLINDER	1
3	5580300407160000	WASHER	4
4	5580203681600000	NUT	2
5	551GF08LRF000000	NIPPEL	2
6	5580100571655000	BOLT	2
7	5580100578200000	BOLT	2
8	106100007	WASHER	2
9	106115001	STEERING INTERCONNECTION PLATE	1
10	5480710201150000	BUSHING	2
11	106116000	LEFT STEERING SYSTEM COMPLETE WELDMENT	1
12	5444102000040000	TIRE	2
13	5580203681200000	NUT	8
14	5264302000020000	TRACTION MOTOR	2
15	551GF12LR12F0000	NIPPEL	4
16	106117000	RIGHT STEERING SYSTEM COMPLETE WELDMENT	1
17	5580100531270000	BOLT	8
18	5580404704450000	SPLIT PIN	2
19	5580402541016000	SET SCREW	2
20	5480620400300000	BUSHING	4
21	106100006	STEERING WHEEL WASHER	2

NON-STEER AXLE AND WHEELS

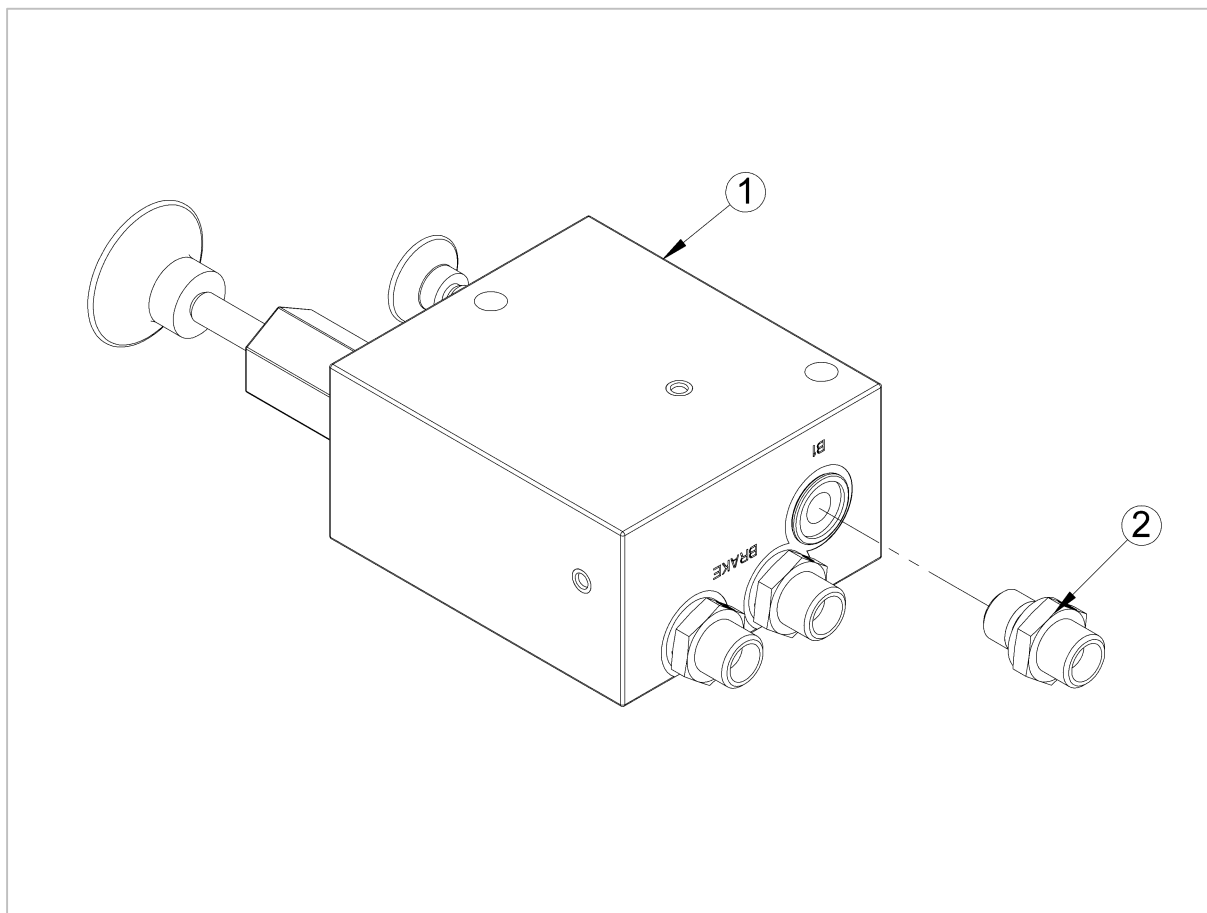


ITEM	PART NO	DESCRIPTION	QTY.
1	5444102000040000	WHEEL	2
2	5364304000020000	HYDRAULIC BRAKE	2
3	5580203681200000	NUT	8
4	5580300407120000	WASHER	8
5	551GF08L716UNF00	NIPPEL	2
6	5580100531290000	BOLT	8
7	5580404704450000	SPLIT PIN	2

EMERGENCY LOWERING AND COUNTERWEIGHT

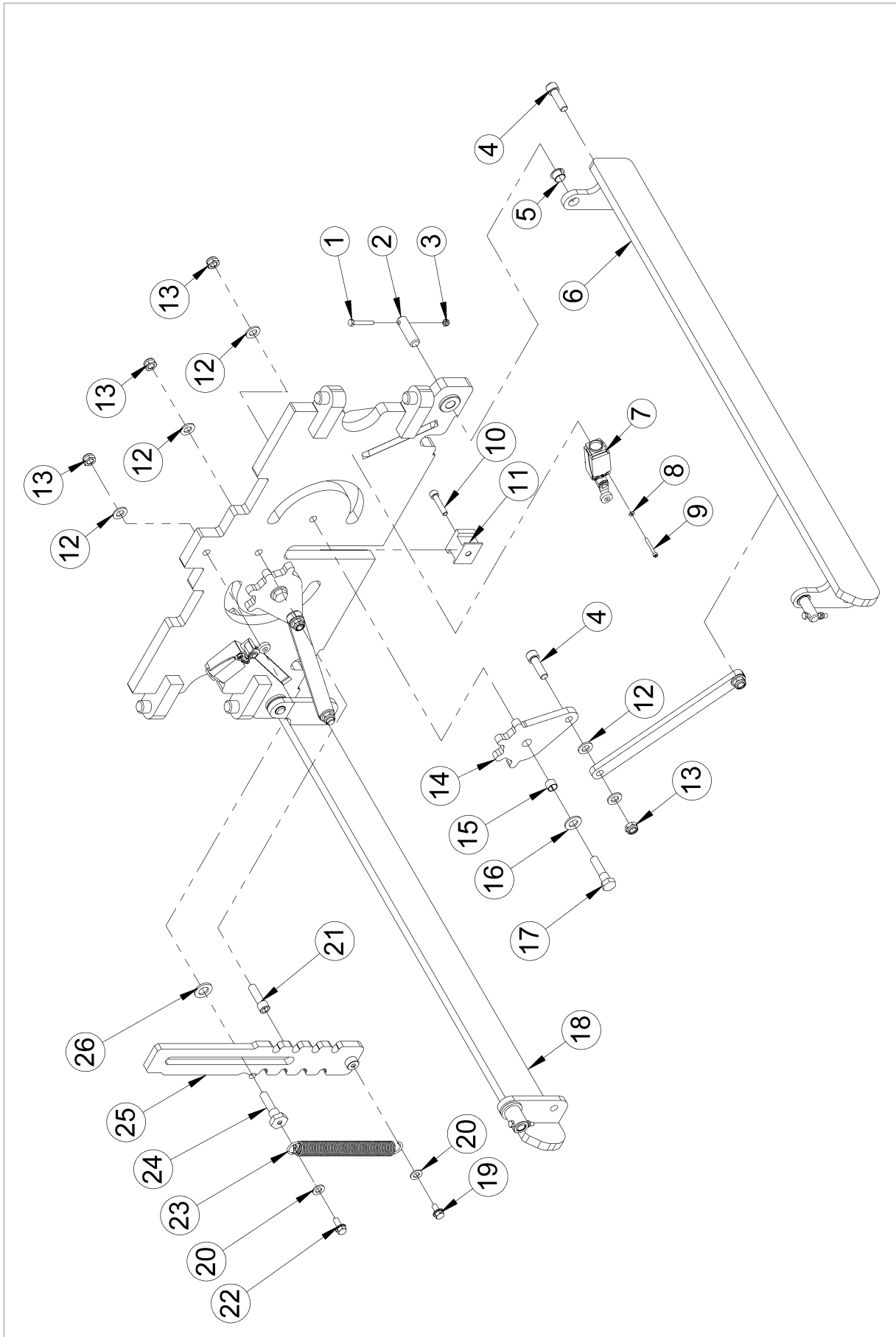


ITEM	PART NO	DESCRIPTION	QTY.
1	5684106101020000	EMERGENCY LOWERING KNOB	1
2	5684106003000000	EMERGENCY LOWERING ASSEMBLY	1
3	5580203688000000	NUT	1
4	116162000	BRAKE RELEASE BLOCK - ASSEMBLY	1
5	5580300040780000	WASHER	2
6	5580100538650000	BOLT	2
7	5580203681200000	NUT	4
8	5580300407120000	WASHER	4
9	199100012	STATIC BELT GROUP	1
10	5580300407100000	WASHER	1
11	5580100578300000	BOLT	1
12	5580102739282000	BOLT	2
13	199100002	PLUG PLATE	1
14	5580100571235000	BOLT	4
15	106125000	LADDER WELDMENT	1
16	5684124000010000	P-CLIP	1
17	5580100576100000	BOLT	1

PARK RELEASE MANIFOLD

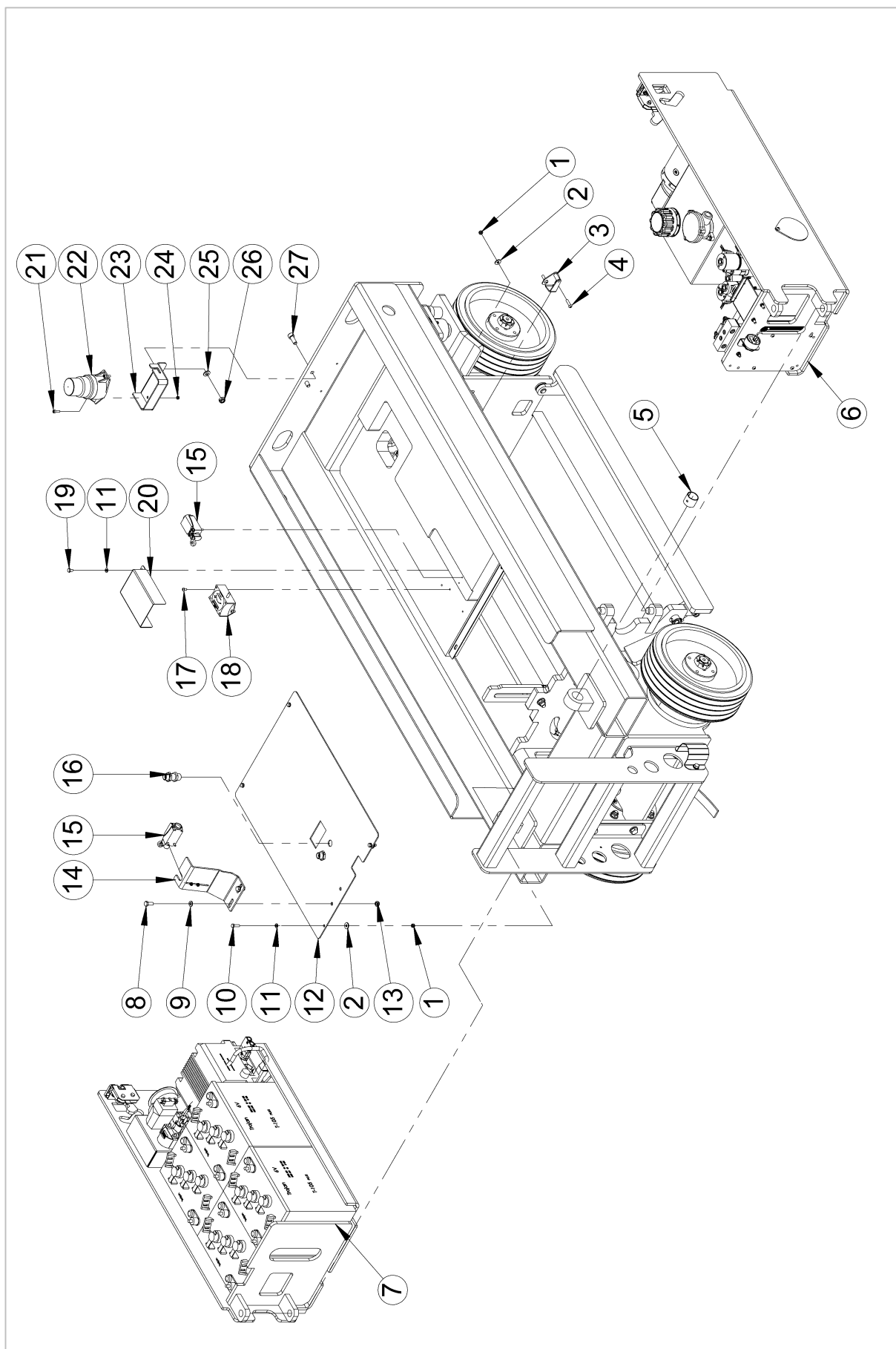
ITEM	PART NO	DESCRIPTION	QTY.
1	5364306000080000	PARK RELEASE BLOCK	1
2	551GF08LRF000000	NIPPLE	3

POTHOLE PROTECTION ASSEMBLY



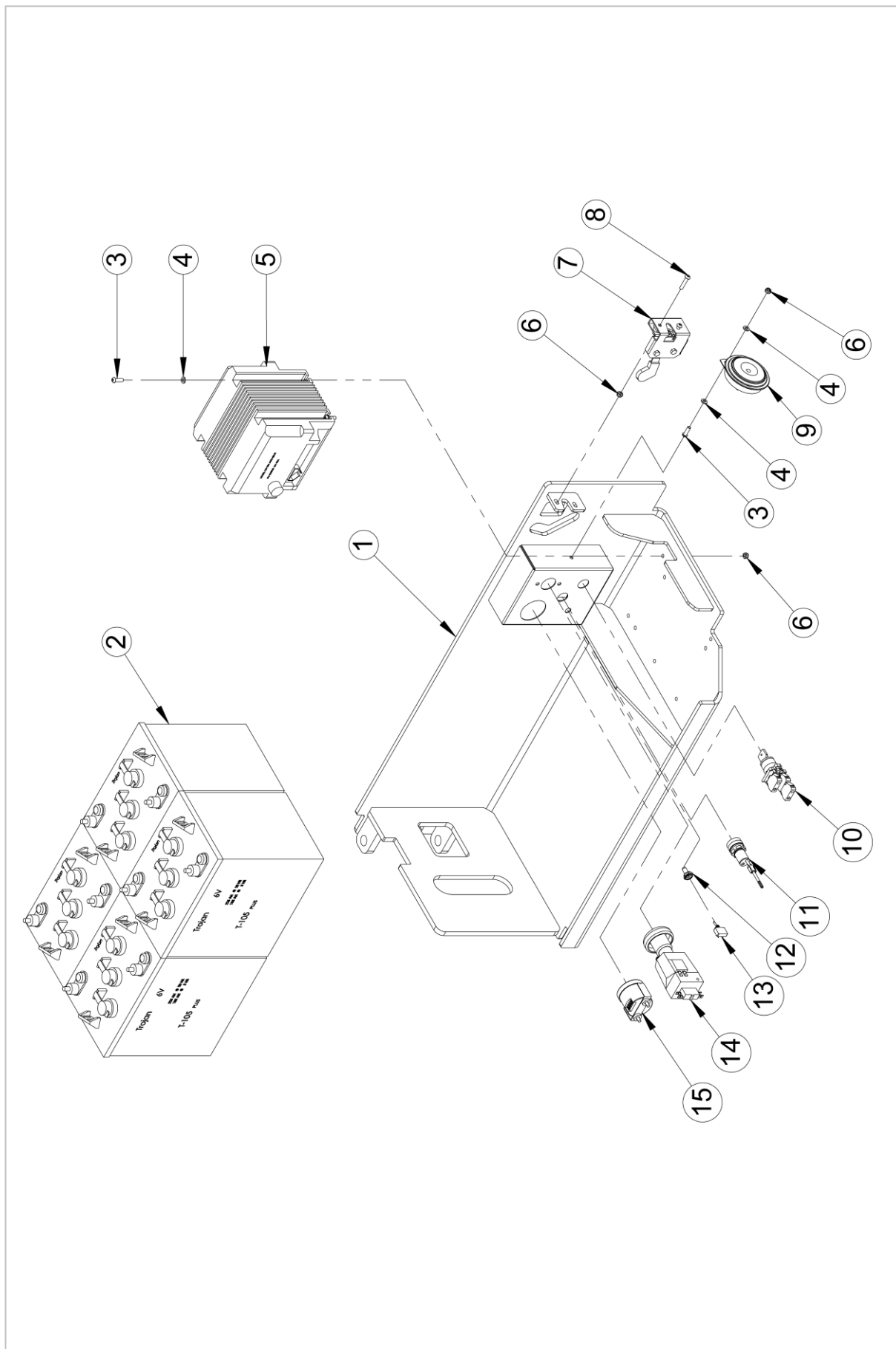
ITEM	PART NO	DESCRIPTION	QTY.
1	5580100576400000	BOLT	4
2	106100005	POTHOLE GUARD MOUNTING PIN	4
3	5580203686000000	NUT	4
4	5580100841240000	BOLT	4
5	5480710161150000	BUSHING	4
6	106112000	LEFT POTHOLE GUARD - WELDMENT	1
7	5344208200030000	LIMIT SWITCH	2
8	5580300040740000	WASHER	4
9	5580100844350000	BOLT	4
10	5580100848400000	BOLT	1
11	106100002	MECHANICAL STOPPER	1
12	5580300407120000	WASHER	8
13	5580203681200000	NUT	8
14	106110001	POTHOLE GUARD GEAR PLATE	2
15	5480610140120000	BUSHING	2
16	5580300407140000	WASHER	2
17	106100003	CUSTOM BOLT	2
18	106114000	RIGHT POTHOLE GUARD - WELDMENT	1
19	5580102739281600	BOLT	1
20	5580300407100000	WASHER	1
21	106100001	CUSTOM BOLT	1
22	5580102739282000	BOLT	2
23	5684104000060000	POTHOLE ARM PLATE	1
24	106108001	CUSTOM BOLT	1
25	106109000	POTHOLE RACK PLATE WELDMENT	1
26	5580300407160000	WASHER	1

SAFETY EQUIPMENTS

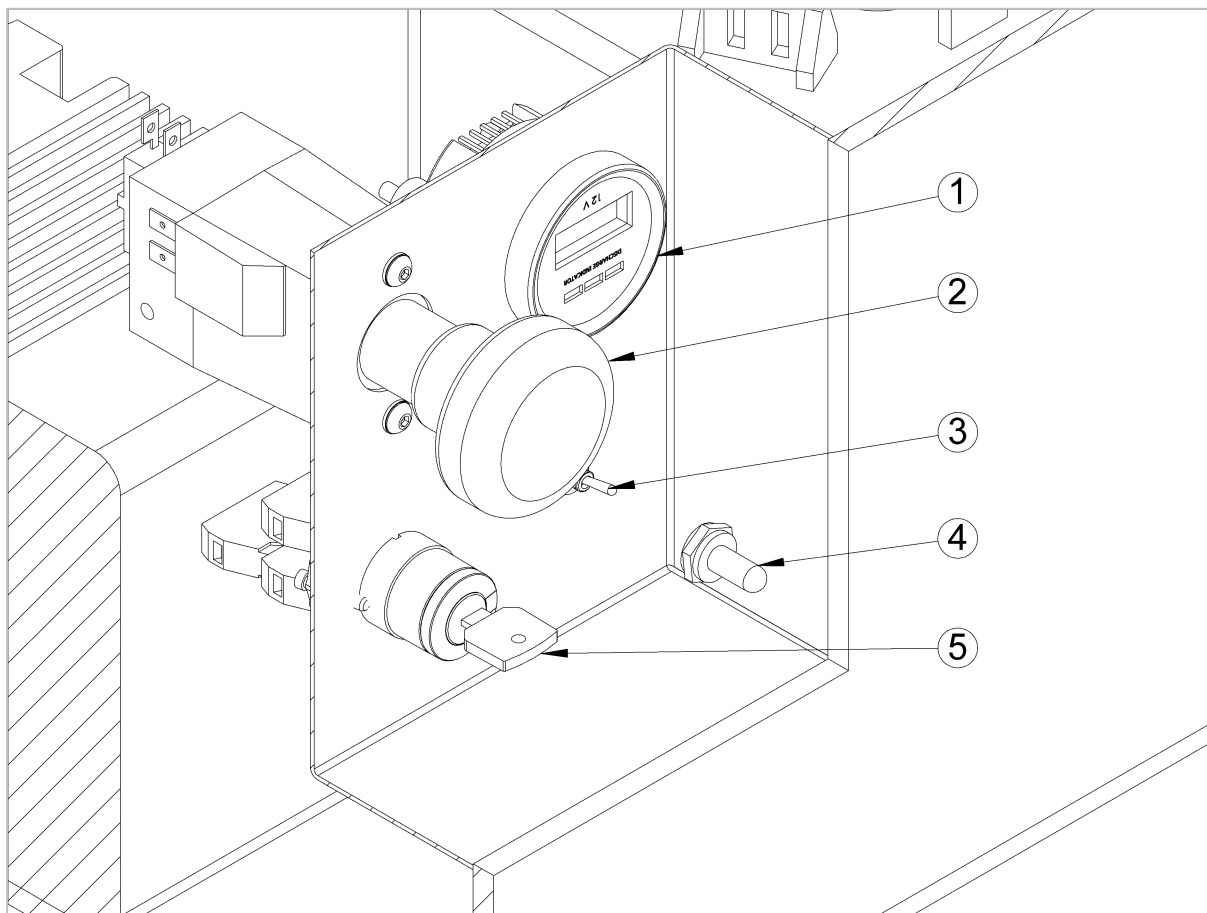


ITEM	PART NO	DESCRIPTION	QTY.
1	5580203686000000	NUT	8
2	5580310830000000	WASHER	8
3	5684110000100000	LOCK COUNTERPART	2
4	5580100600162500	BOLT	4
5	5480620300300000	BUSHING	2
6	106121000	HYDRAULIC DRAWER ASSEMBLY	1
7	106119000	BATTERY DRAWER ASSEMBLY	1
8	5580100578200000	BOLT	2
9	5580300040780000	WASHER	2
10	5580100576200000	BOLT	4
11	5580300040760000	WASHER	6
12	106118000	CHASSIS COVER WELDMENT	1
13	5580203688000000	NUT	4
14	199100062	SWICH PLATE	1
15	5344208200030000	LIMIT SWITCH	2
16	551SV12L00000000	NIPPLE	2
17	5580100600151000	BOLT	2
18	5344243010050000	ANGLE SENSOR	1
19	5580100576100000	BOLT	2
20	199200061	TILT AND ANGLE SENSOR PROTECTION PLATE	1
21	5580100845160000	BOLT	2
22	5344205200010000	FLASHING WARNING LIGHT	1
23	199001000	FLASHING WARNING LIGHT MOUNTING - WELDMENT	1
24	5580203685000000	NUT	2
25	5580300407100000	WASHER	2
26	5580203681000000	NUT	2
27	5580100841025000	BOLT	2

BATTERY PACK UNIT

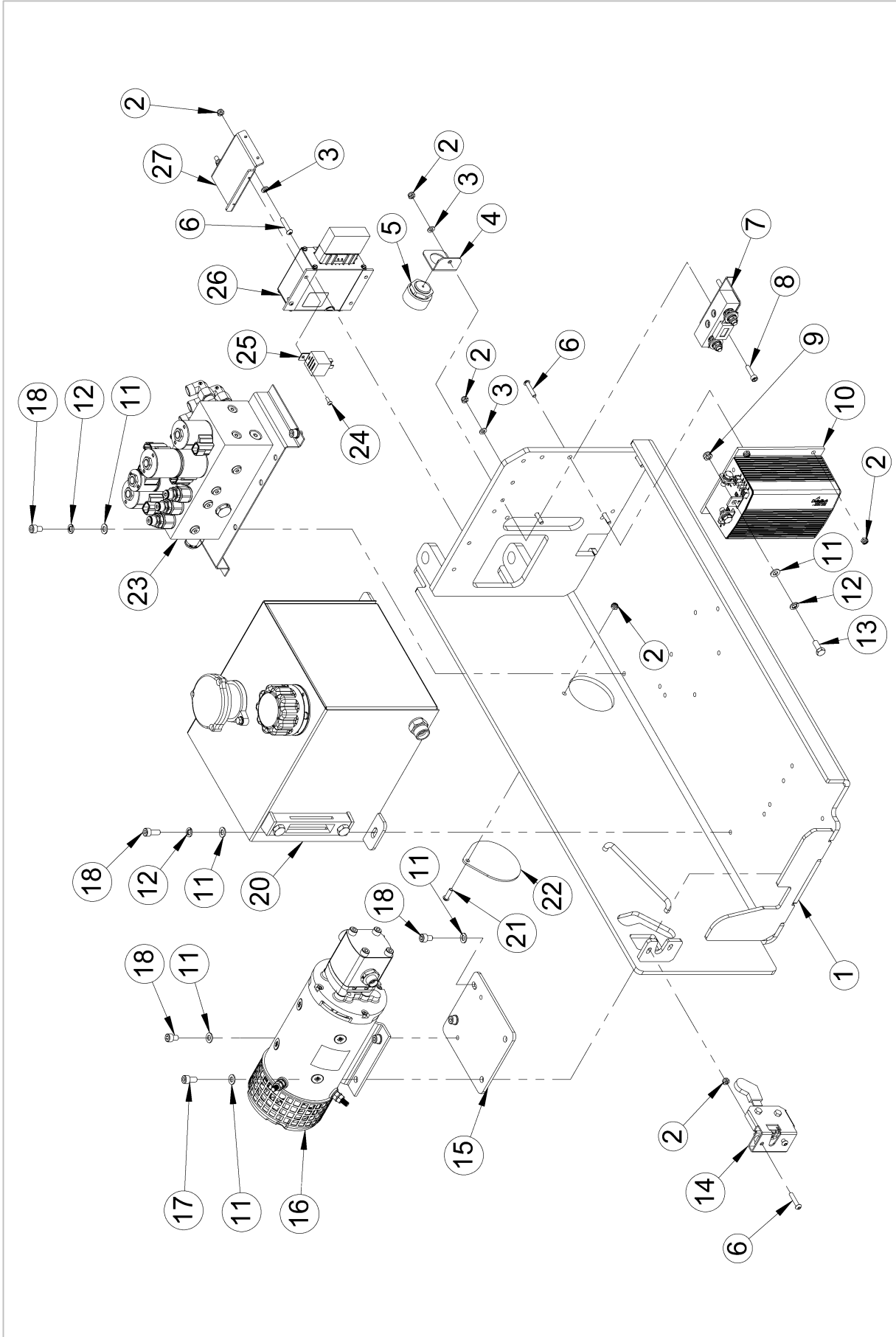


ITEM	PART NO	DESCRIPTION	QTY.
1	106120000	BATTERY DRAWER - WELDMENT	1
2	5344202120010000	BATTERY	4
3	5580100600162000	BOLT	5
4	5580300040760000	WASHER	6
5	5344203240050000	BATTERY CHARGER	1
6	5580203686000000	NUT	7
7	5684110000020000	LOCK	1
8	5580100600163000	BOLT	2
9	5344210200010000	HORN	1
10	199651000	IGNITION SWITCH	1
11	199604000	BATTERY CHARGER INDICATOR - ASSEMBLY	1
12	5344206200010000	TOGGLE SWITCH COVER	1
13	5344206220010000	TOGGLE SWITCH	1
14	5344204000010000	MAIN SWITCH	1
15	5344246000020000	HOURMETER	1

GROUND CONTROLS

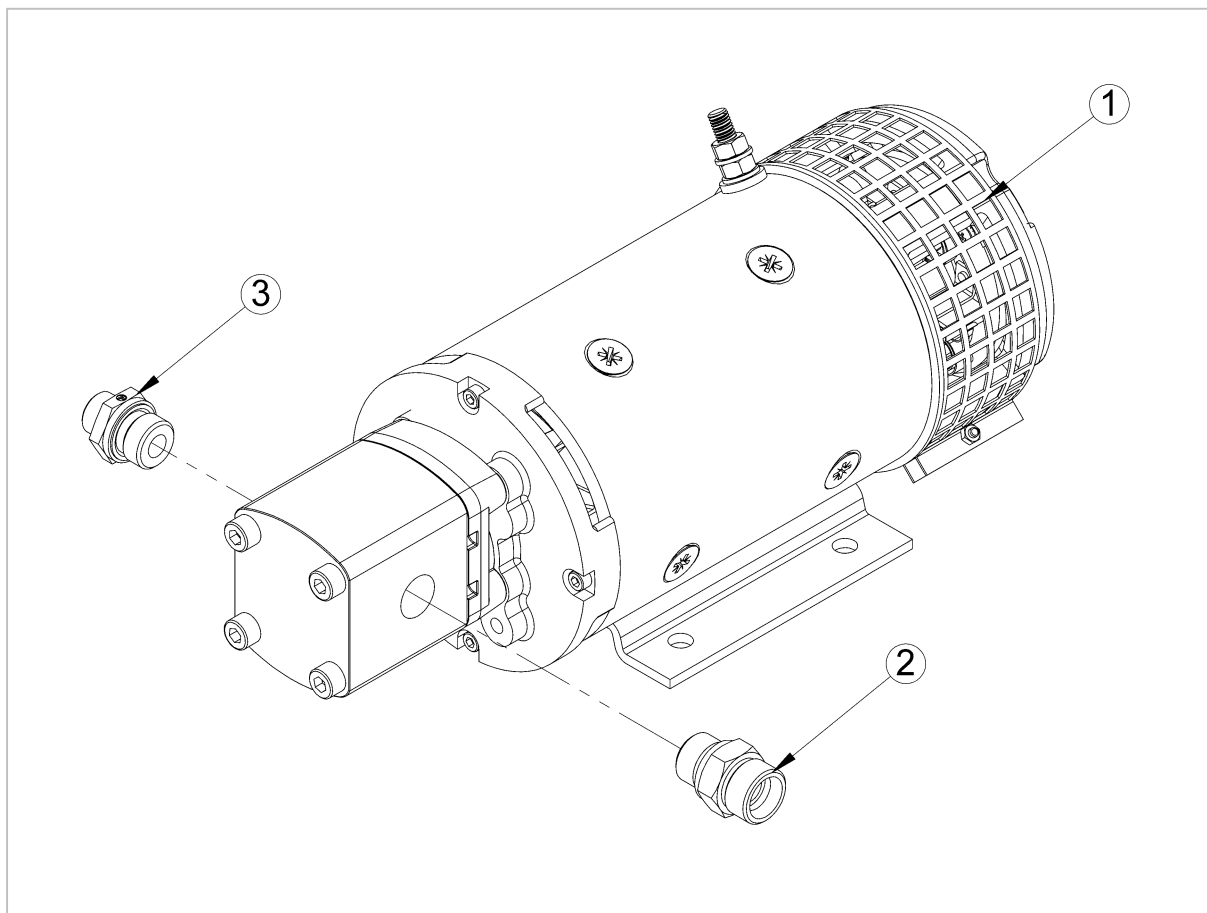
ITEM	PART NO	DESCRIPTION	QTY.
1	5344246000020000	WORKING HOURS INDICATOR	1
2	5344204000010000	MAIN SWITCH	1
3	5344206220010000	TOGGLE SWITCH	1
4	5344206200010000	TOGGLE SWITCH COVER	1
5	199651000	IGNITION SWITCH ASSEMBLY	1

POWER UNIT



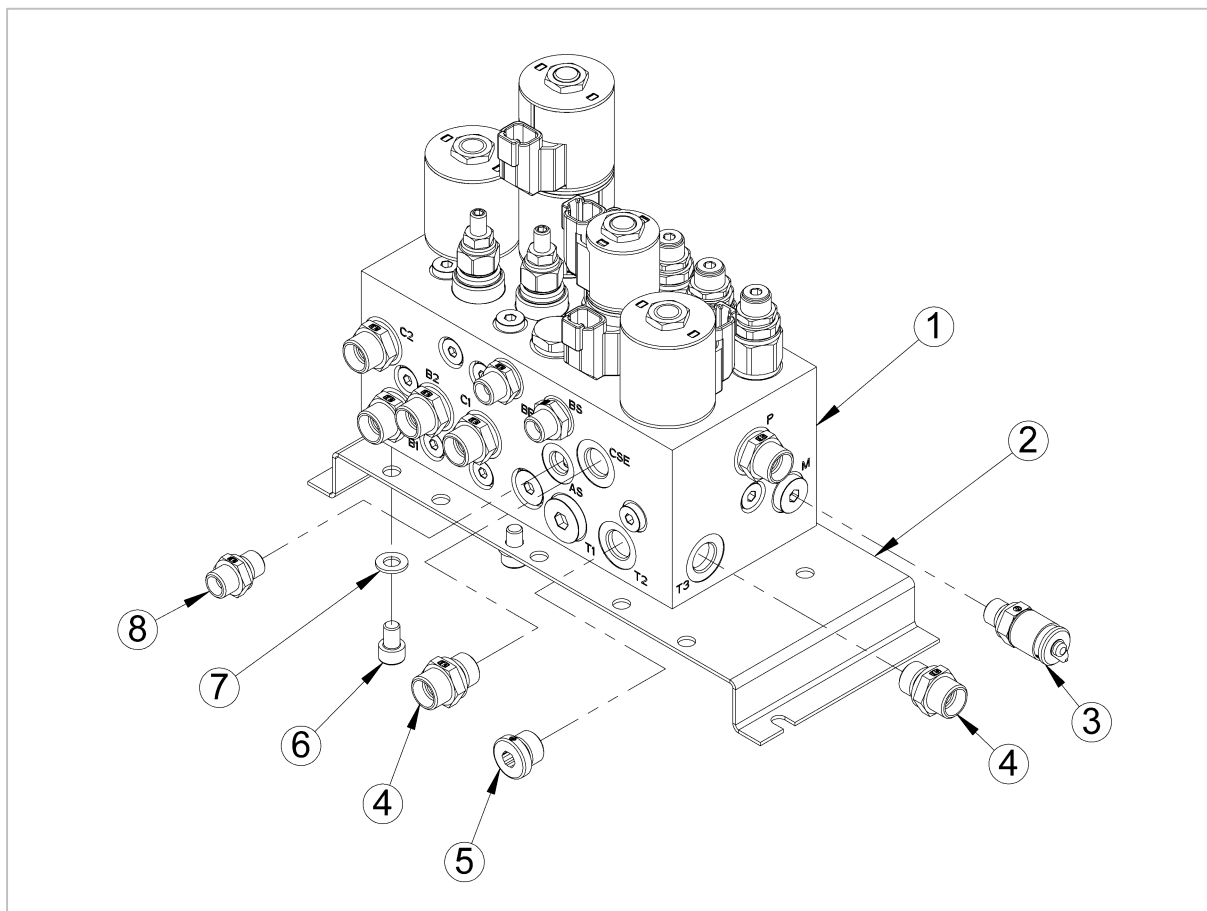
ITEM	PART NO	DESCRIPTION	QTY.
1	106122000	HYDRAULIC DRAWER WELDMENT	1
2	5580203686000000	NUT	11
3	5580300040760000	WASHER	4
4	199100001	BUZZER MOUNTING PLATE	1
5	5344216000020000	BUZZER	1
6	5580100600163000	BOLT	8
7	106163000	FUSE ASSEMBLY COMPLETE MOUNTING GROUP	1
8	5580100846250000	BOLT	2
9	5580203688000000	NUT	3
10	5344240000140000	MOTOR DRIVER	1
11	5580300040780000	WASHER	13
12	5580314418000000	WASHER	7
13	5580100578200000	BOLT	3
14	5684110000010000	LOCK	1
15	116115004	POWER PACK MOUNTING PLATE	1
16	106166000	POWER UNIT ASSEMBLY	1
17	5580100848160000	BOLT	2
18	5580100848120000	BOLT	6
19	5580100848200000	BOLT	2
20	106123000	HYDRAULIC TANK - ASSEMBLY	1
21	5580100600162000	BOLT	1
22	101100009	DISCHARGING CAP PLATE	1
23	116119000	MAIN MANIFOLD ASSEMBLY	1
24	5580100600141200	BOLT	2
25	5344217000010000	RELAY	1
26	5344241100130000	ELECTRONIC CONTROL UNIT (ECU)	1
27	116115001	CONTROLLER MOUNTING PLATE	1

HYDRAULIC POWER UNIT



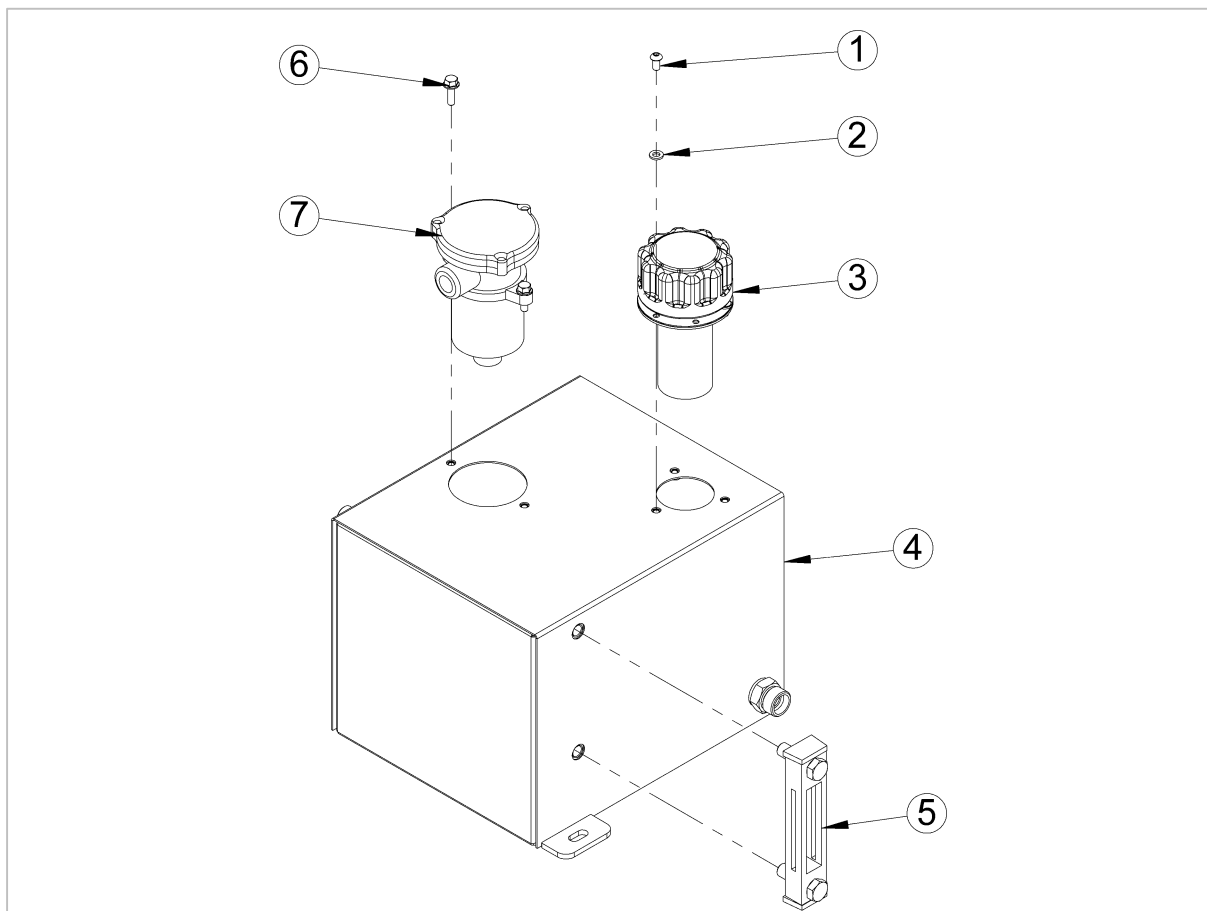
ITEM	PART NO	DESCRIPTION	QTY.
1	5264301000140000	POWER UNIT	1
2	551GF16SRF000000	NIPPLE	1
3	551GF12LR12F0000	NIPPLE	1

FUNCTION MANIFOLD



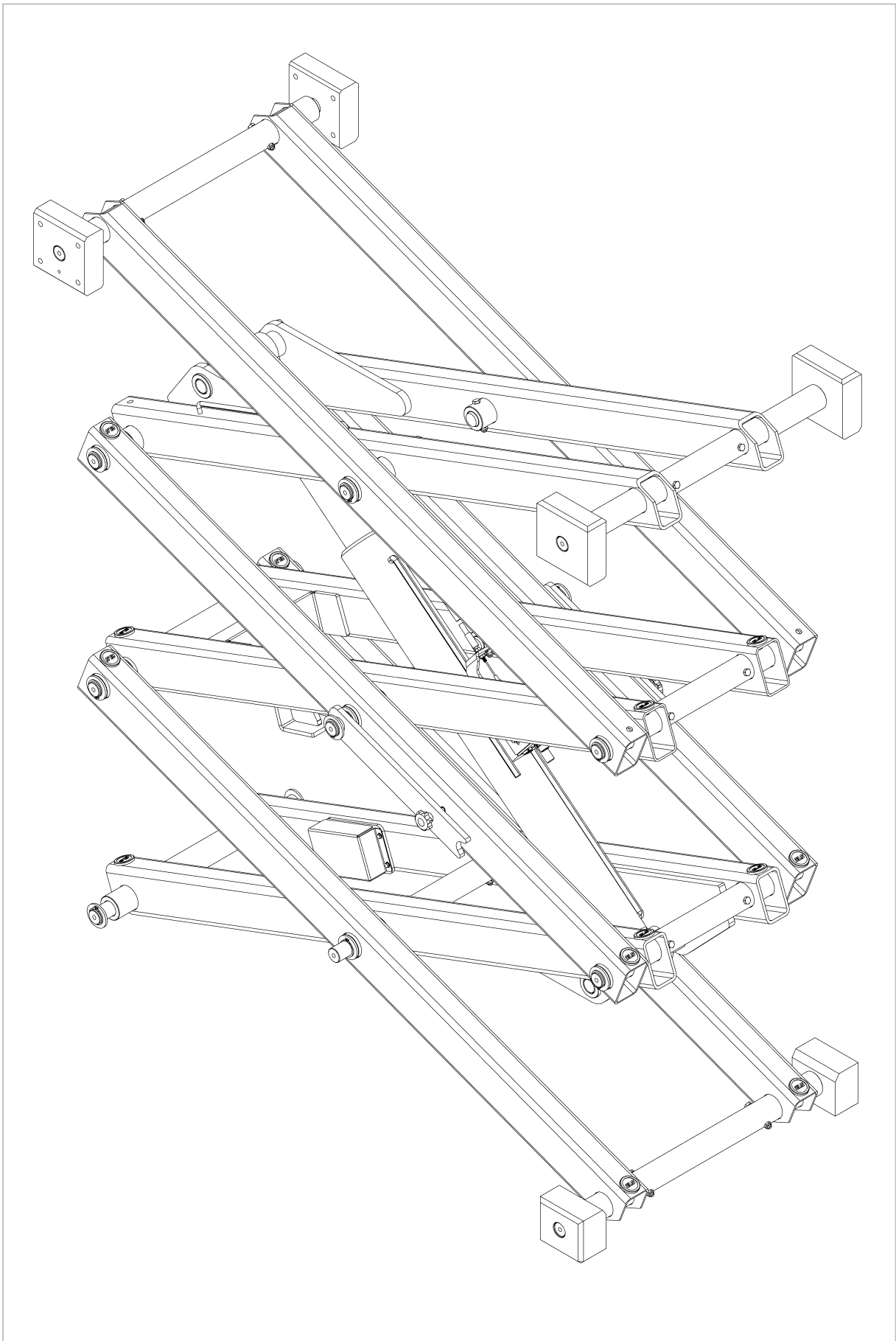
ITEM	PART NO	DESCRIPTION	QTY.
1	5364306000180000	HYDRAULIC BLOCK	1
2	199100071	HYDRAULIC BLOCK MOUNTING PLATE	1
3	551FMA314F000000	NIPPLE	1
4	551GF12LRF000000	NIPPLE	7
5	551VSTI38FD000000	NIPPLE	1
6	5580100848120000	BOLT	4
7	5580300040780000	WASHER	4
8	551GF08LRF000000	NIPPLE	3

HYDRAULIC TANK ASSEMBLY

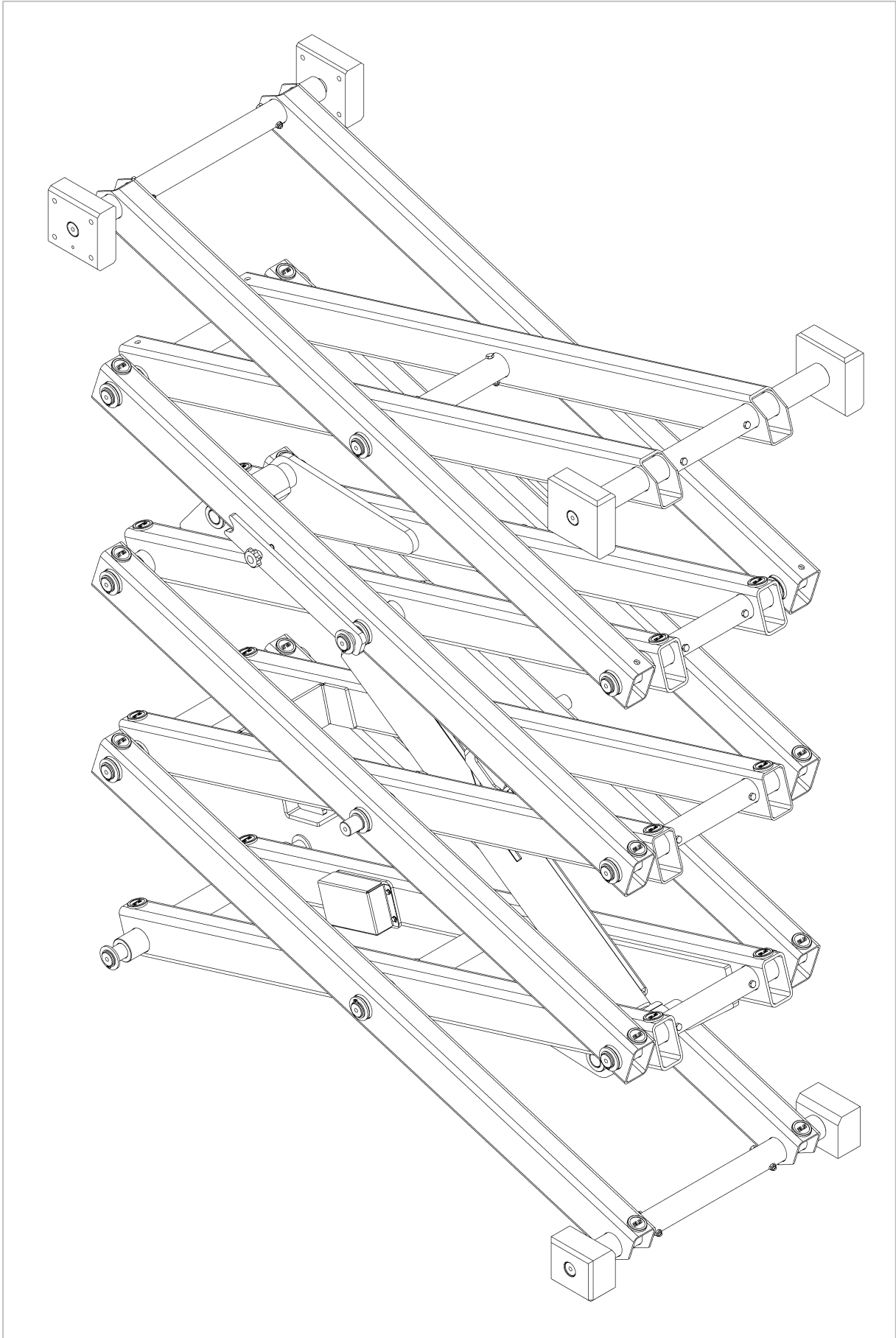


ITEM	PART NO	DESCRIPTION	QTY.
1	5580100600161200	BOLT	3
2	5580300040760000	WASHER	3
3	5364318000010000	FILLER BREATHER CAP	1
4	106124000	HYDRAULIC TANK WELDMENT	1
5	5364318000030000	OIL LEVEL GAUGE	1
6	5580102739262000	BOLT	2
7	5474311000010000	HYDRAULIC TANK FILTER	1

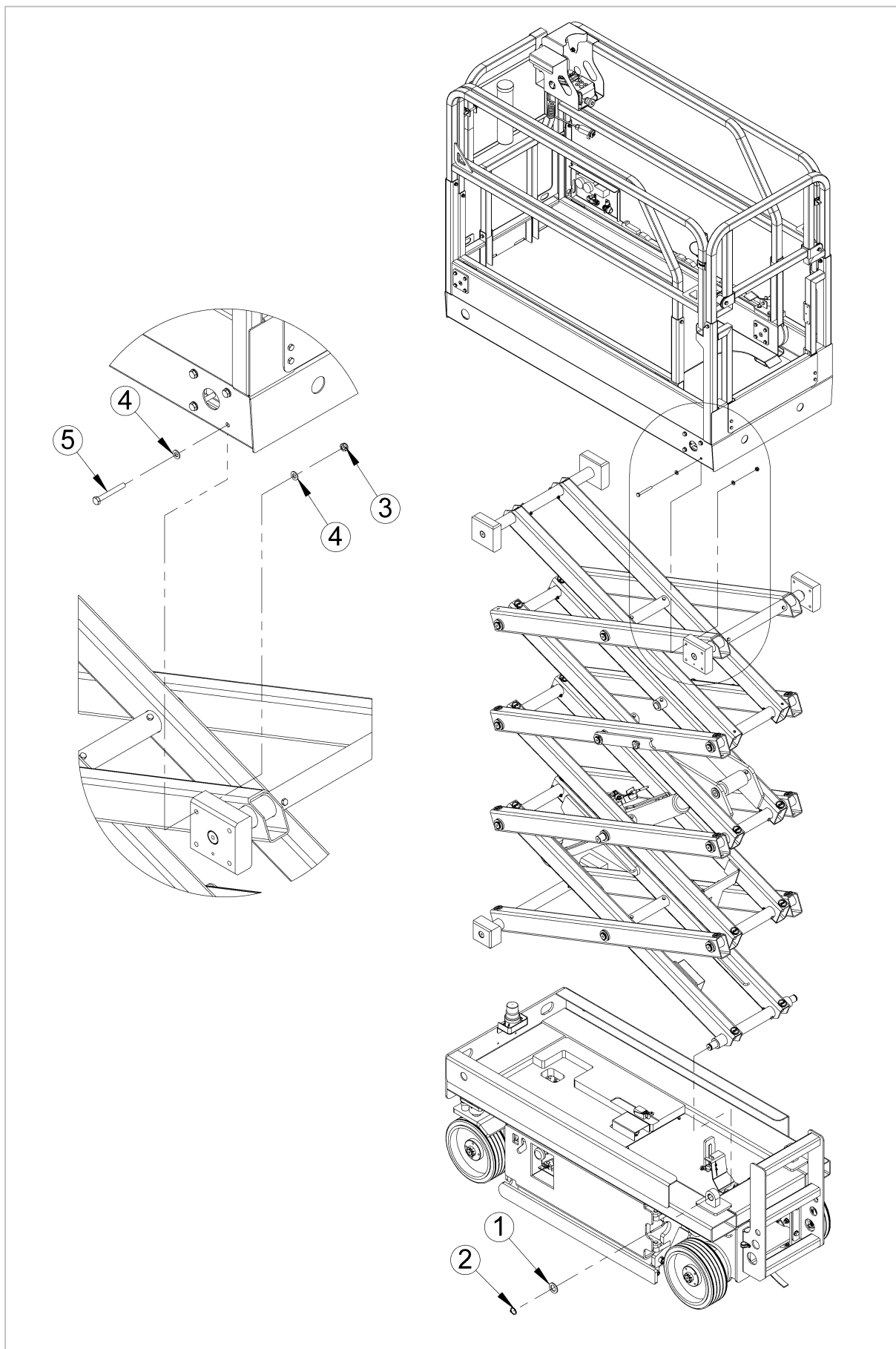
SECTION 3 – SCISSORS
GENERAL VIEW (EL6-S)



GENERAL VIEW (EL8-S)

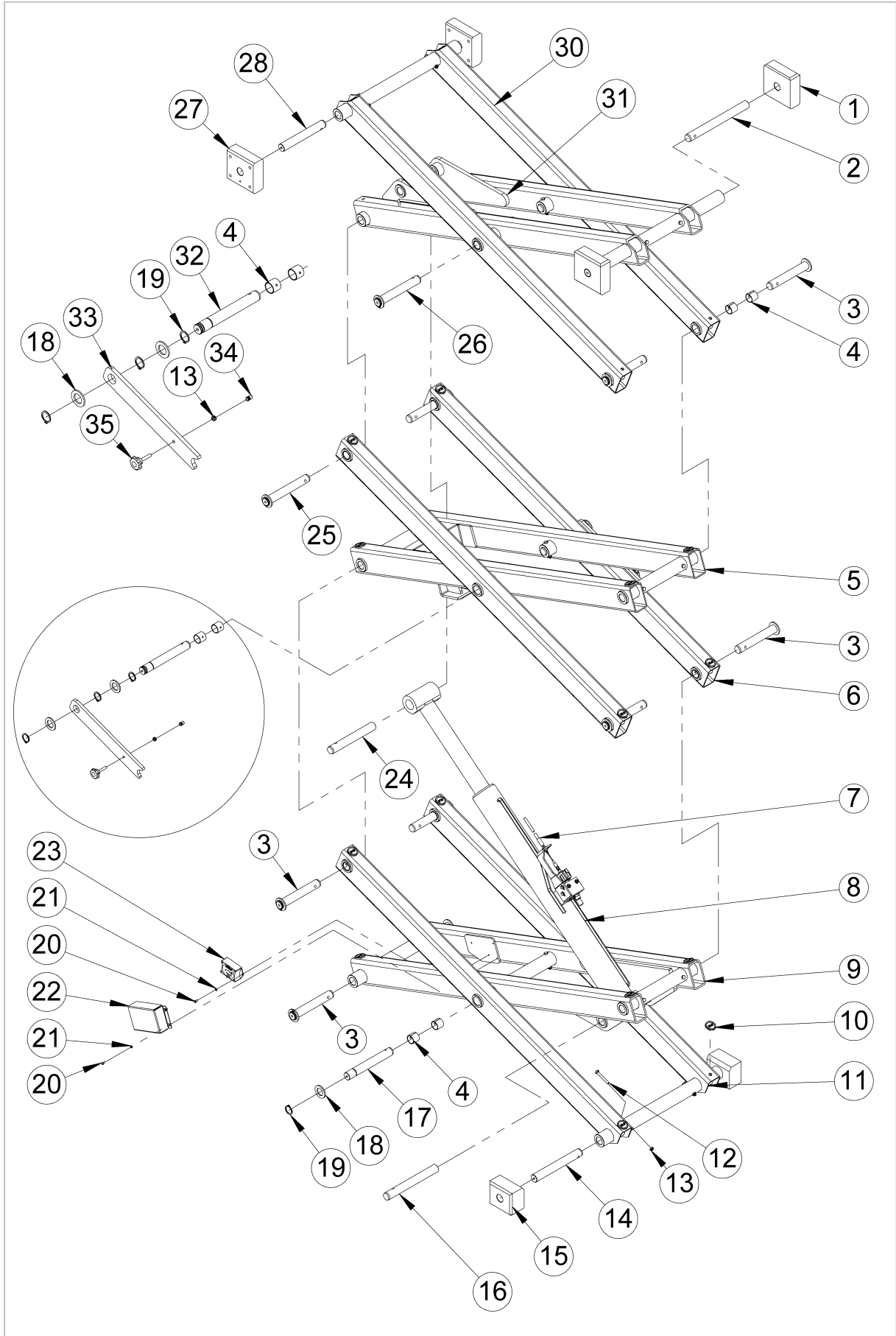


SCISSOR ASSEMBLY INSTALLATION



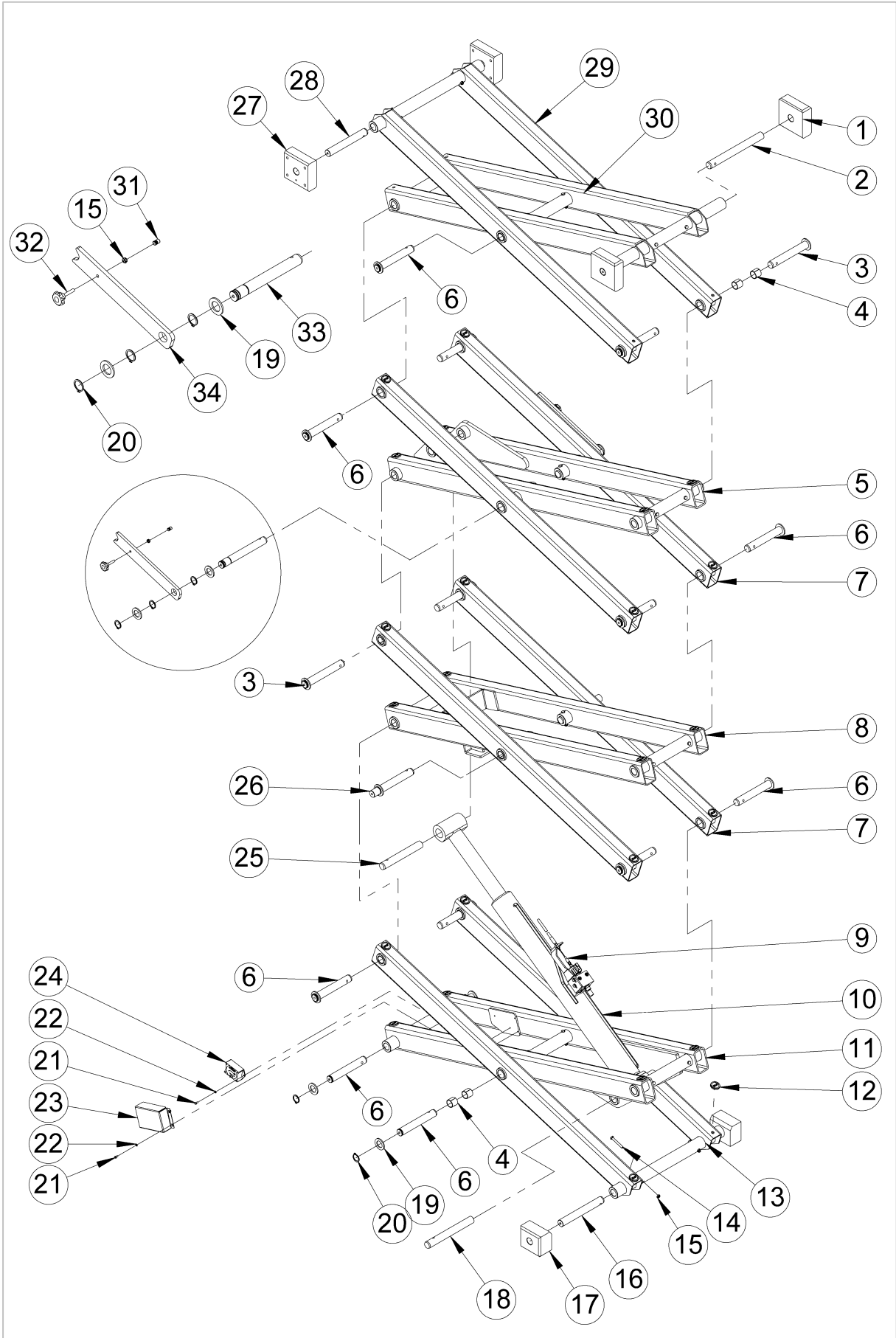
ITEM	PART NO	DESCRIPTION	QTY.
1	199200602	CUSTOM WASHER	2
2	5580404383020000	OUTER RETAINING RING	2
3	5580203681000000	NUT	8
4	5580300407100000	WASHER	16
5	5580100531080000	BOLT	8

SCISSOR ASSEMBLY (EL6-S)

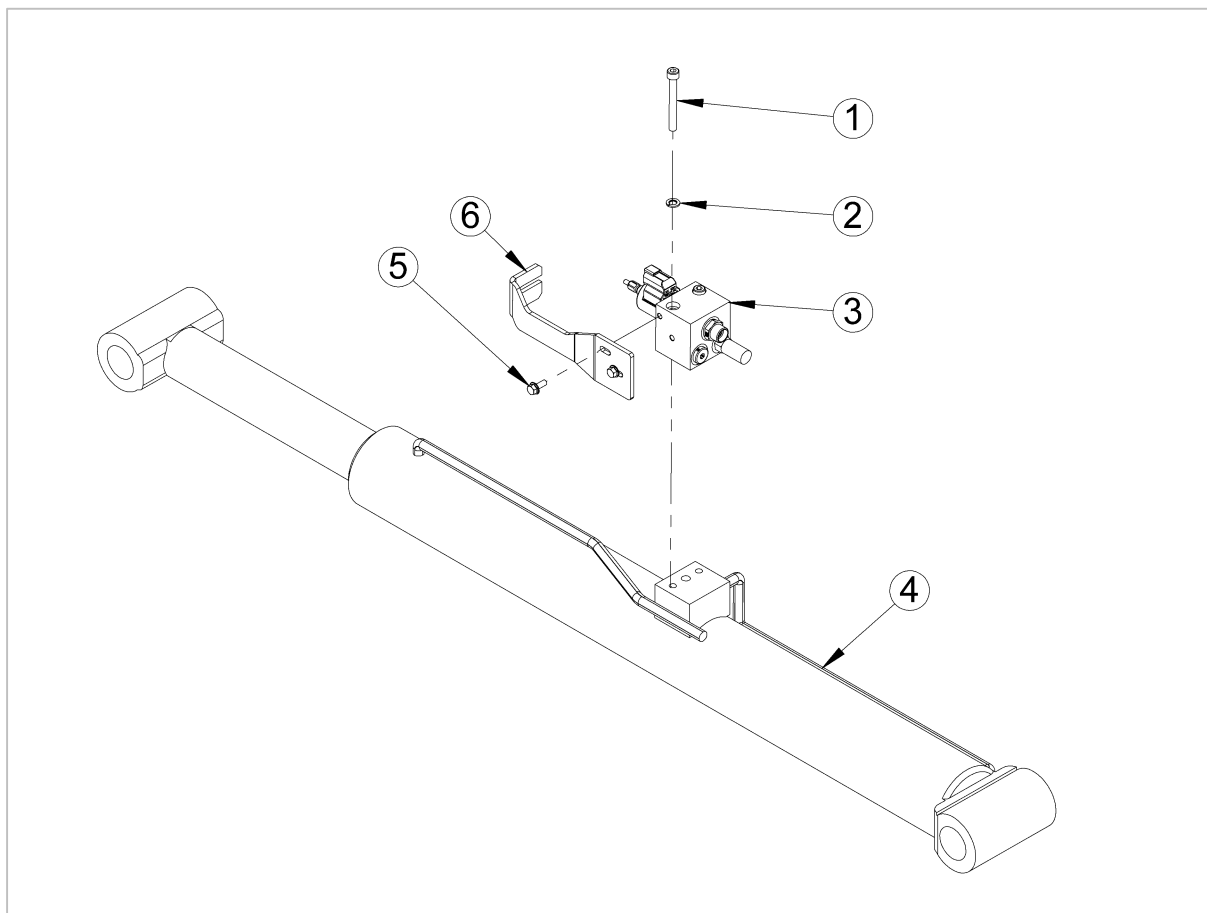


ITEM	PART NO	DESCRIPTION	QTY.
1	106200010	SPRING TOP WEDGE 1	2
2	106200008	PIN	2
3	106200001	PIN	8
4	5480620300300000	BUSHING	28
5	106204000	INNER ARM 3 - WELDMENT	1
6	106206000	OUTER ARM - ASSEMBLY	1
7	5684106003000000	EMERGENCY LOWERING ASSEMBLY GROUP	1
8	106260000	LOWER LIFT CYLINDER ASSEMBLY GROUP	1
9	106201000	INNER ARM 1 - WELDMENT	1
10	5684114000010000	END CAP	16
11	106203000	OUTER ARM 1 - WELDMENT	1
12	5580100538600000	BOLT	24
13	5580203688000000	NUT	26
14	106200002	PIN	2
15	106200003	SCISSORS BOTTOM WEDGE	2
16	106200012	PIN	1
17	106200005	PIN	2
18	199200602	CUSTOM WASHER	18
19	5580404383020000	EXTERNAL RETAINING RING	20
20	5580100575100000	BOLT	4
21	5580300040750000	WASHER	4
22	199200061	ANGLE AND TILT SENSOR PROTECTION PLATE	1
23	5344243010050000	ANGEL SENSOR	1
24	106200013	PIN	1
25	106200007	PIN	2
26	105200002	PIN	2
27	106200011	SPRING TOP WEDGE 2	2
28	106200009	PIN	2
29	106207000	OUTER ARM - WELDMENT	1
30	106211000	OUTER ARM 4 - WELDMENT	1
31	105201000	INNER ARM 3 - WELDMENT	1
32	105200001	PIN	2
33	106200014	MAINTENANCE SAFETY ARM	2
34	5580409177800000	NUT	2
35	5580405213825000	HANDLE	2

SCISSOR ASSEMBLY (EL8-S)

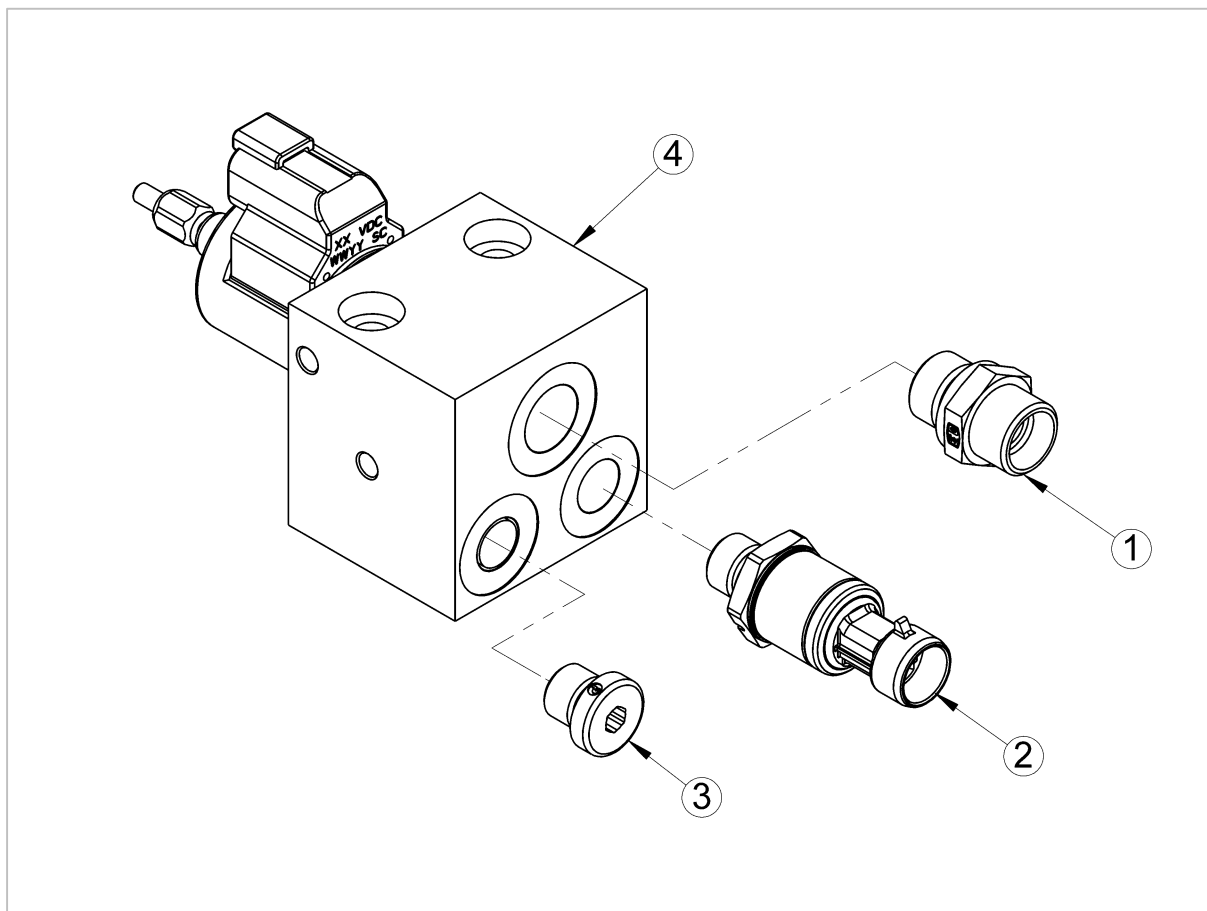


ITEM	PART NO	DESCRIPTION	QTY.
1	106200010	SPRING TOP WEDGE 1	2
2	106200008	PIN	2
3	106200007	PIN	4
4	5480620300300000	BUSHING	22
5	106208000	INNER ARM 3 - WELDMENT	1
6	106200001	PIN	14
7	106207000	OUTER ARM - WELDMENT	4
8	106204000	INNER ARM 3 - WELDMENT	1
9	5684106003000000	EMERGENCY LOWERING ASSEMBLY GROUP	1
10	106260000	LOWER LIFT CYLINDER ASSEMBLY GROUP	1
11	106201000	INNER ARM 1 - WELDMENT	1
12	5684114000010000	END CAP	24
13	106203000	OUTER ARM 1 - WELDMENT	1
14	5580100538600000	BOLT	30
15	5580203688000000	NUT	32
16	106200002	PIN	2
17	106200003	SCISSORS BOTTOM WEDGE	2
18	106200012	PIN	1
19	199200602	CUSTOM WASHER	24
20	5580404383020000	EXTERNAL RETAINING RING	26
21	5580100575100000	BOLT	4
22	5580300040750000	WASHER	4
23	199200061	ANGLE AND TILT SENSOR PROTECTION PLATE	1
24	5344243010050000	ANGEL SENSOR	1
25	106200013	PIN	1
26	106200005	PIN	2
27	106200011	SPRING TOP WEDGE 2	2
28	106200009	PIN	2
29	106211000	OUTER ARM 4 - WELDMENT	1
30	106209000	INNER ARM 3 - WELDMENT	1
31	5580409177800000	NUT	2
32	5580405213825000	HANDLE	2
33	106200006	PIN	2
34	106200014	MAINTENANCE SAFETY ARM	2

LIFT CYLINDER

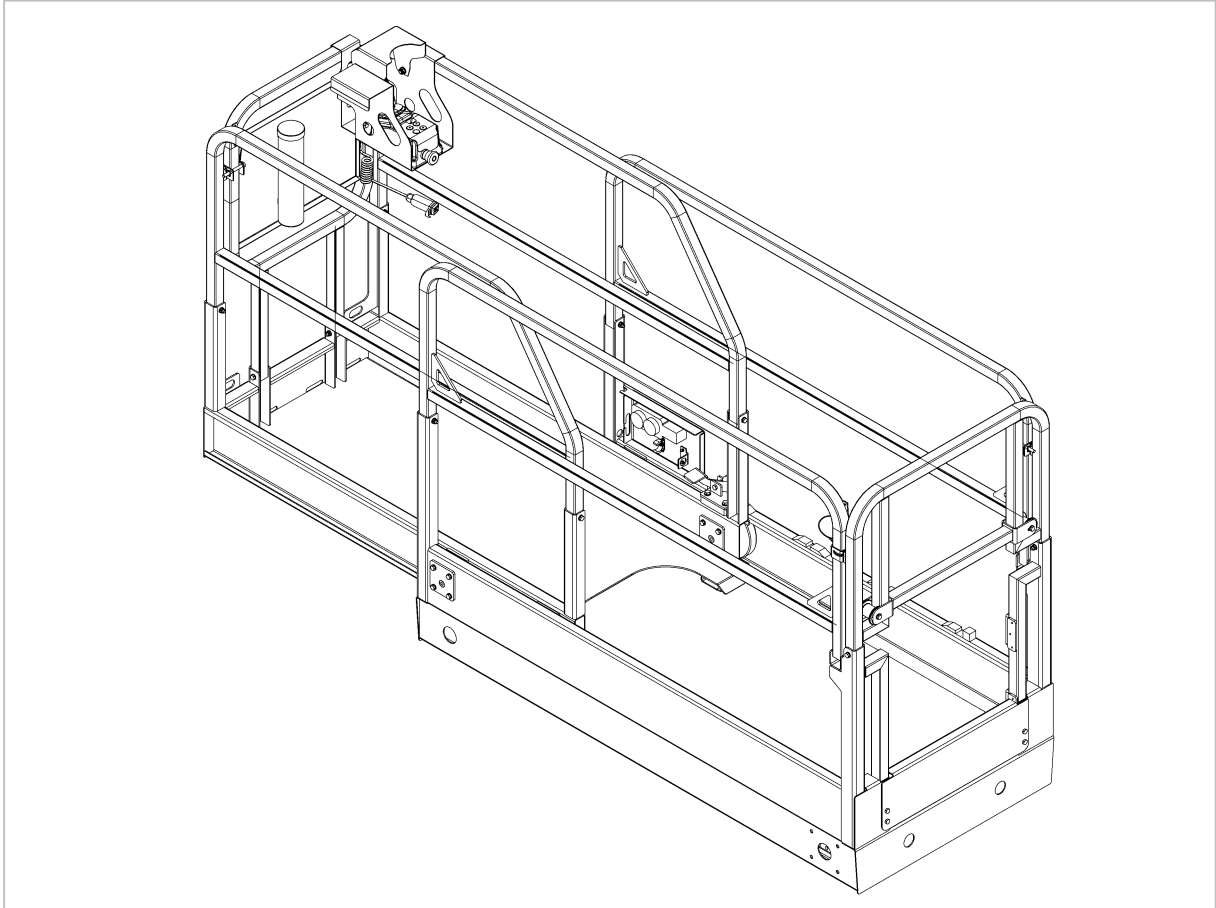
ITEM	PART NO	DESCRIPTION	QTY.
1	5580100848700000	BOLT	2
2	5580314418000000	WASHER	2
3	115261000	LIFT CYLINDER BLOCK - ASSEMBLY	1
4	5404305100050000	LIFT CYLINDER	1
5	5580102739261600	BOLT	2
6	199200051	EMERGENCY LOWERING MOUNTING PLATE	1

LIFT CYLINDER BLOCK

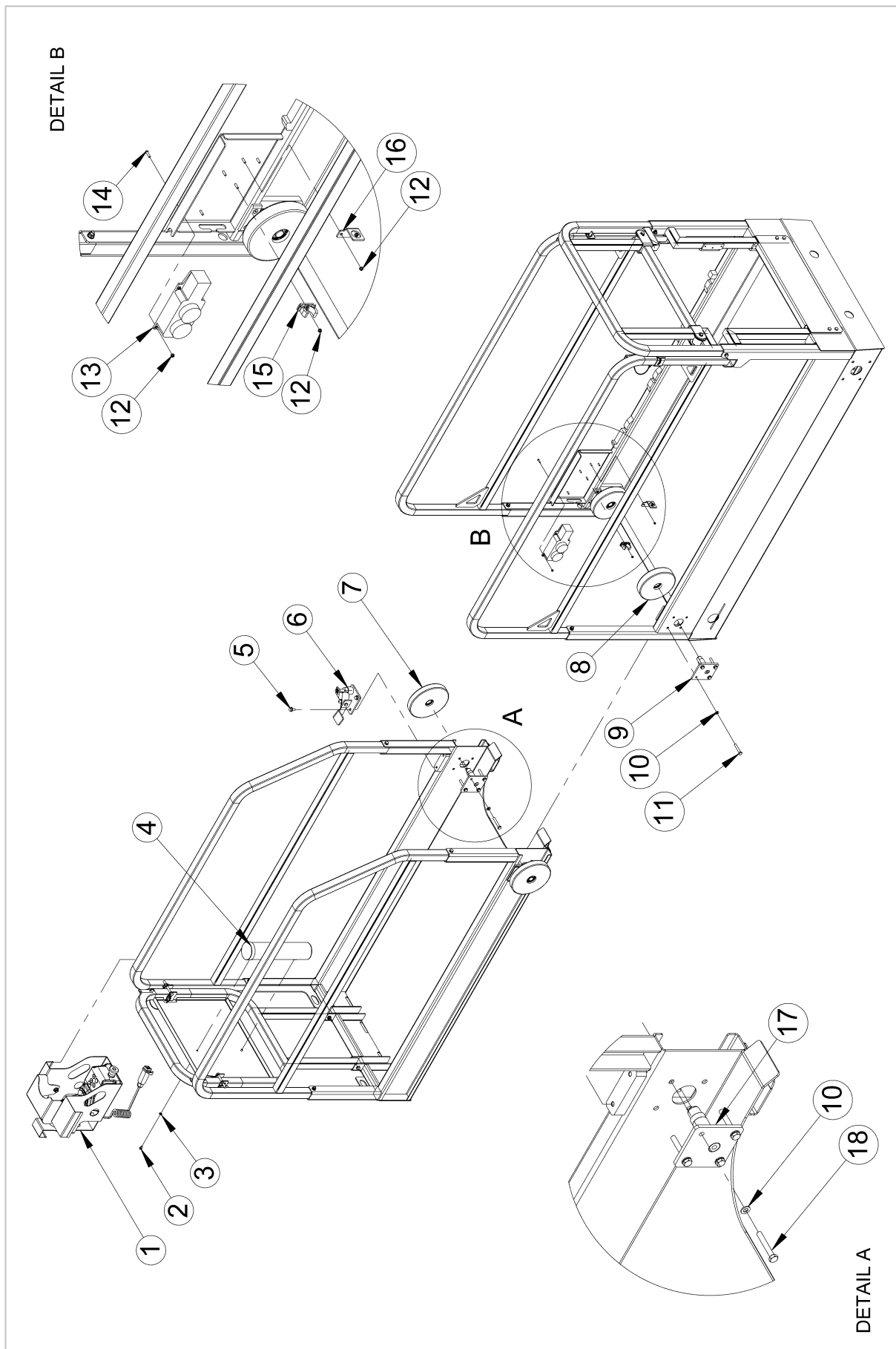


ITEM	PART NO	DESCRIPTION	QTY.
1	551GF12LRF000000	NIPPLE	1
2	5344243030070000	PRESSURE SENSOR	1
3	551VST114F000000	BLIND PLUG	1
4	5364306000040000	LIFT CYLINDER BLOCK	1

SECTION 4 – PLATFORM

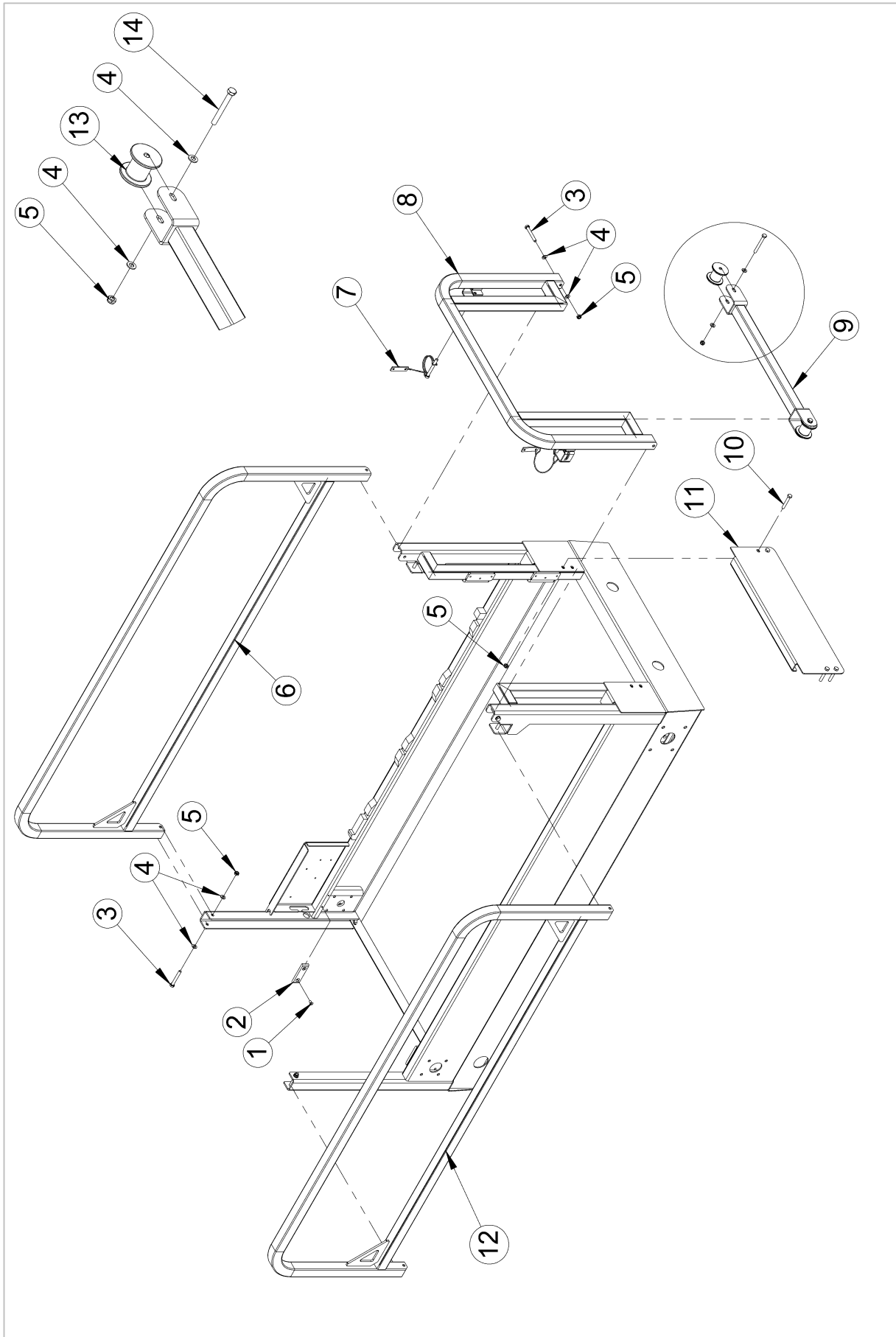


PLATFORM ASSEMBLY

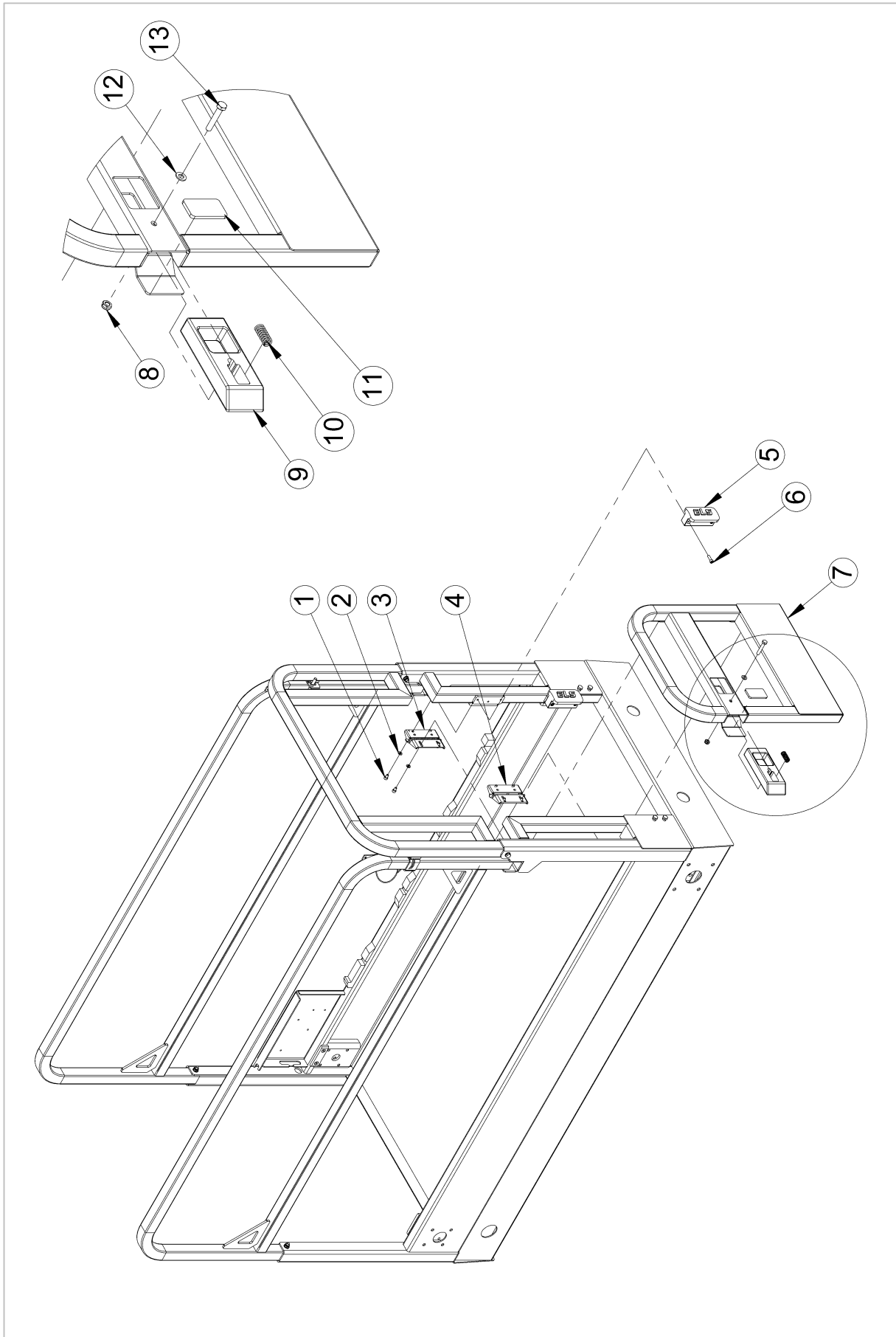


ITEM	PART NO	DESCRIPTION	QTY.
1	199611000	PLATFORM CONTROL BOX ASSEMBLY	1
2	5580100576100000	BOLT	2
3	5580300040760000	WASHER	2
4	199304000	BOOKSHELF ASSEMBLY	1
5	5580102739281600	BOLT	2
6	199301000	PLATFORM LOCK ASSEMBLY	1
7	116322000	PLATFORM EXTENSION ROLLER ASSEMBLY	2
8	116320000	MAIN PLATFORM ROLLER ASSEMBLY	2
9	116321000	OUTER ROLLER BRACKET - WELDMENT	2
10	5580300040780000	WASHER	16
11	5580100538500000	BOLT	8
12	5580203684000000	NUT	7
13	5344223000010000	DUAL SOCKET	1
14	5580100600141600	BOLT	7
15	5684116000010000	CABLE CLIP	1
16	199300061	CABLE BRACKET	1
17	116323000	INNER ROLLER BRACKET - WELDMENT	2
18	5580100538550000	BOLT	8

MAIN PLATFORM ASSEMBLY

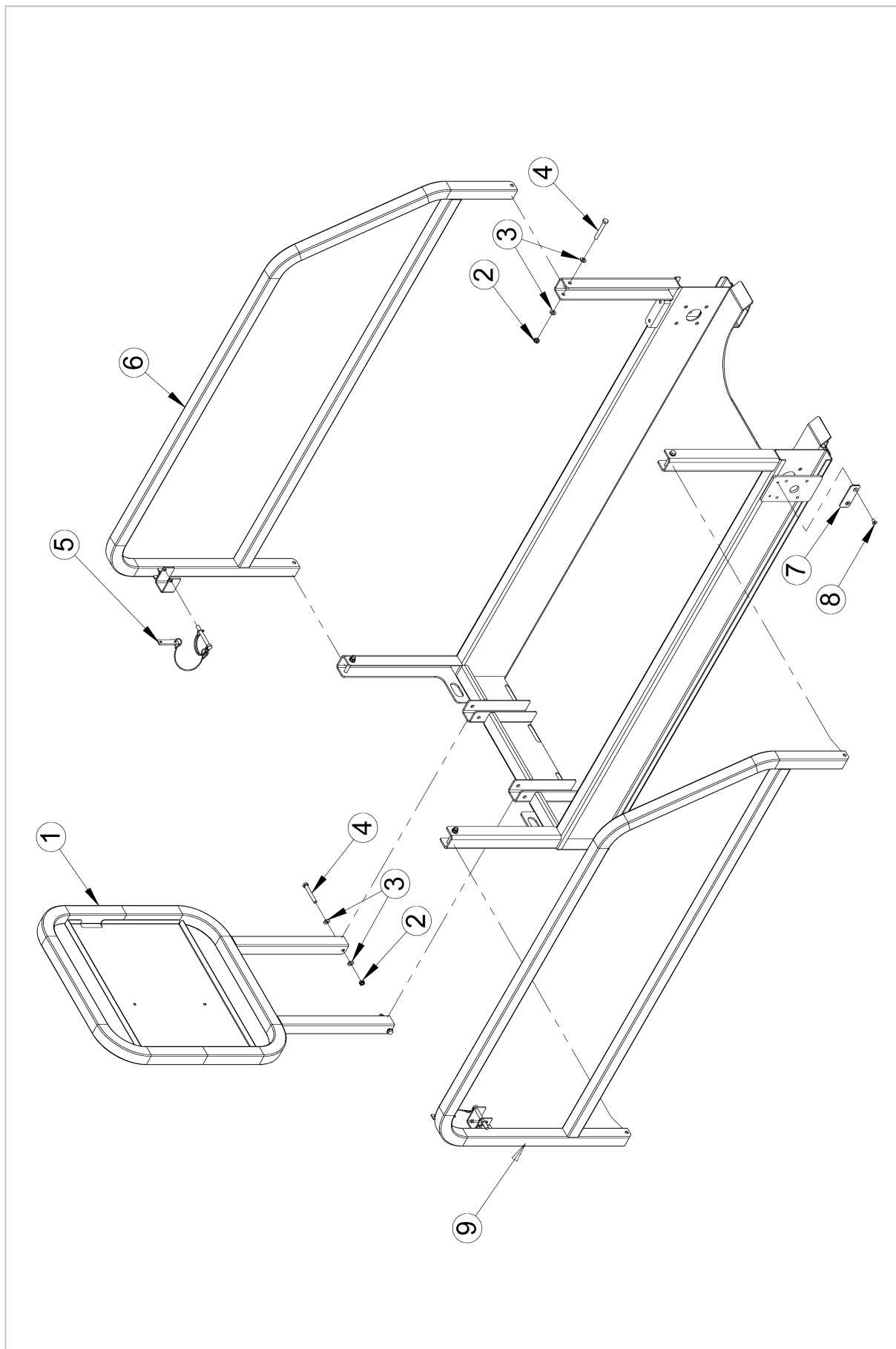


ITEM	PART NO	DESCRIPTION	QTY.
1	5580100890612000	BOLT	4
2	106301001	MAIN PLATFORM FIXING PART	2
3	5580100538600000	BOLT	6
4	5580300040780000	WASHER	16
5	5580203688000000	NUT	12
6	106310000	MAIN PLATFORM RIGHT MAIN RAIL - WELDMENT	1
7	5684110301000000	LOCK PIN	2
8	106311000	DOOR RAIL - WELDMENT	1
9	106313000	DOOR SLIDE BAR - WELDMENT	1
10	5580100538500000	BOLT	4
11	106301002	PLATFORM BACK COVER PLATE	1
12	106309000	MAIN PLATFORM LEFT MAIN RAIL - WELDMENT	1
13	199300081	DOOR SLIDE BAR WHEEL	2
14	5580100538700000	BOLT	2

SALOON DOOR ASSEMBLY (OPTIONAL)

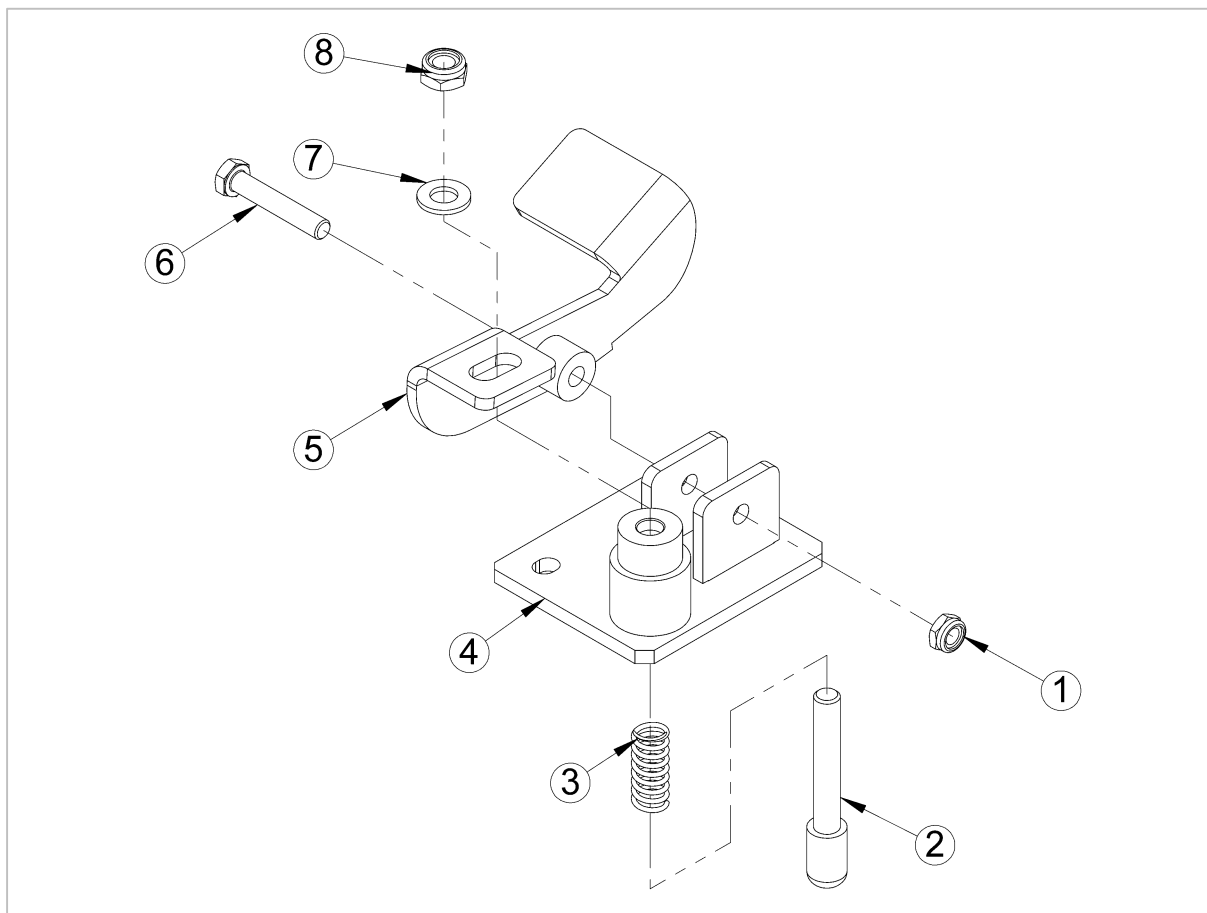
ITEM	PART NO	DESCRIPTION	QTY.
1	5580100846100000	BOLT	8
2	5580300040760000	WASHER	8
3	5684111003000000	SPRING HINGE	1
4	5684111004000000	HINGE	1
5	199300013	DOOR HINGE INTER SUPPORT	2
6	5580100846200000	BOLT	4
7	106323000	SWING DOOR - WELDMENT	1
8	5580203688000000	NUT	1
9	5684110000090000	SWING DOOR DOOR LOCK LATCH	1
10	5684104000120000	SPRING	1
11	199300011	SHOCK ABSORBER	1
12	5580300040780000	WASHER	1
13	5580100578450000	BOLT	1

PLATFORM EXTENSION ASSEMBLY



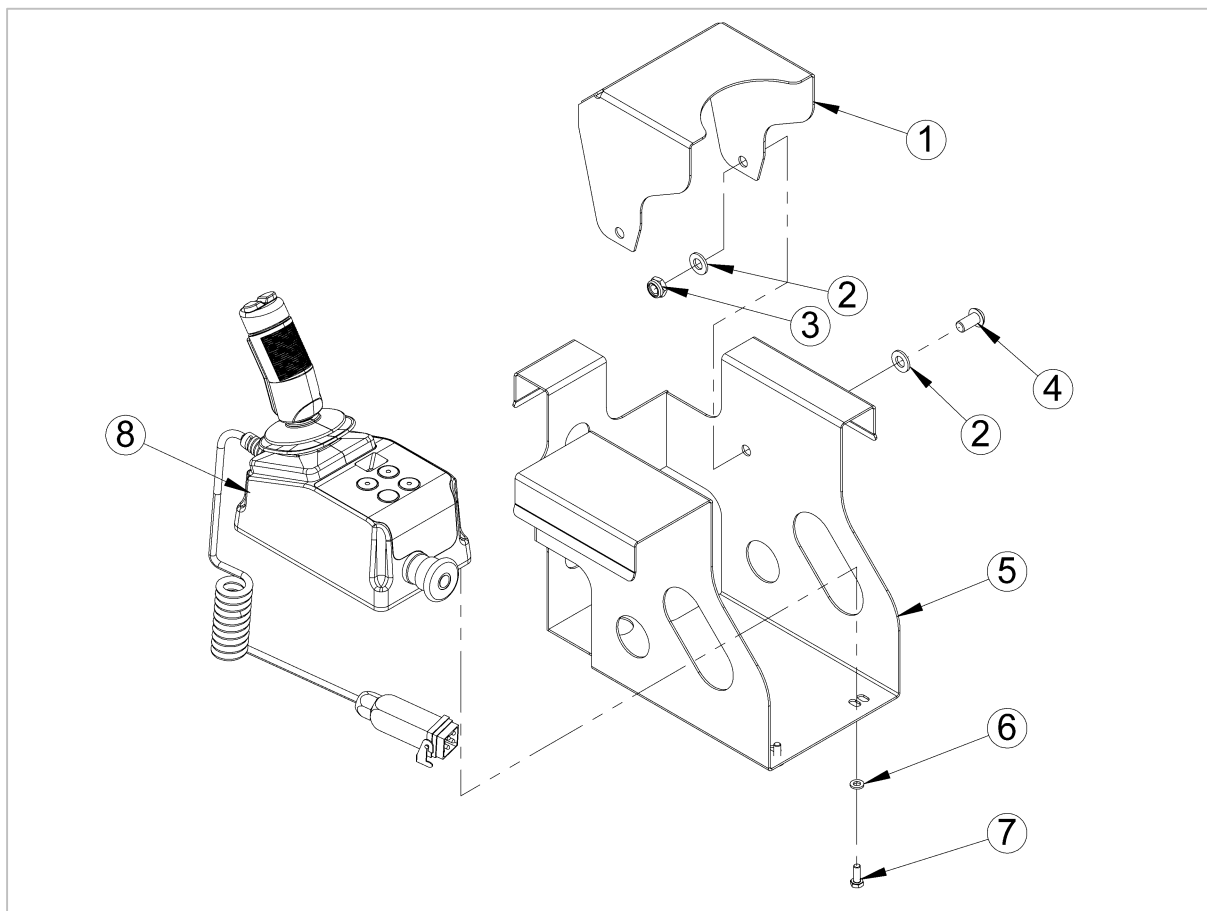
ITEM	PART NO	DESCRIPTION	QTY.
1	106321000	PLATFORM FRONT MAIN RAIL - WELDMENT	1
2	5580203688000000	NUT	6
3	5580300040780000	WASHER	12
4	5580100538600000	BOLT	6
5	5684110301000000	LOCK PIN	2
6	106320000	PLATFORM RIGHT MAIN RAIL - WELDMENT	1
7	116312001	PLATFORM EXTENSION FIXING PART	2
8	5580100890612000	BOLT	4
9	106319000	PLATFORM LEFT MAIN RAIL - WELDMENT	1

PLATFORM EXTENSION LOCK



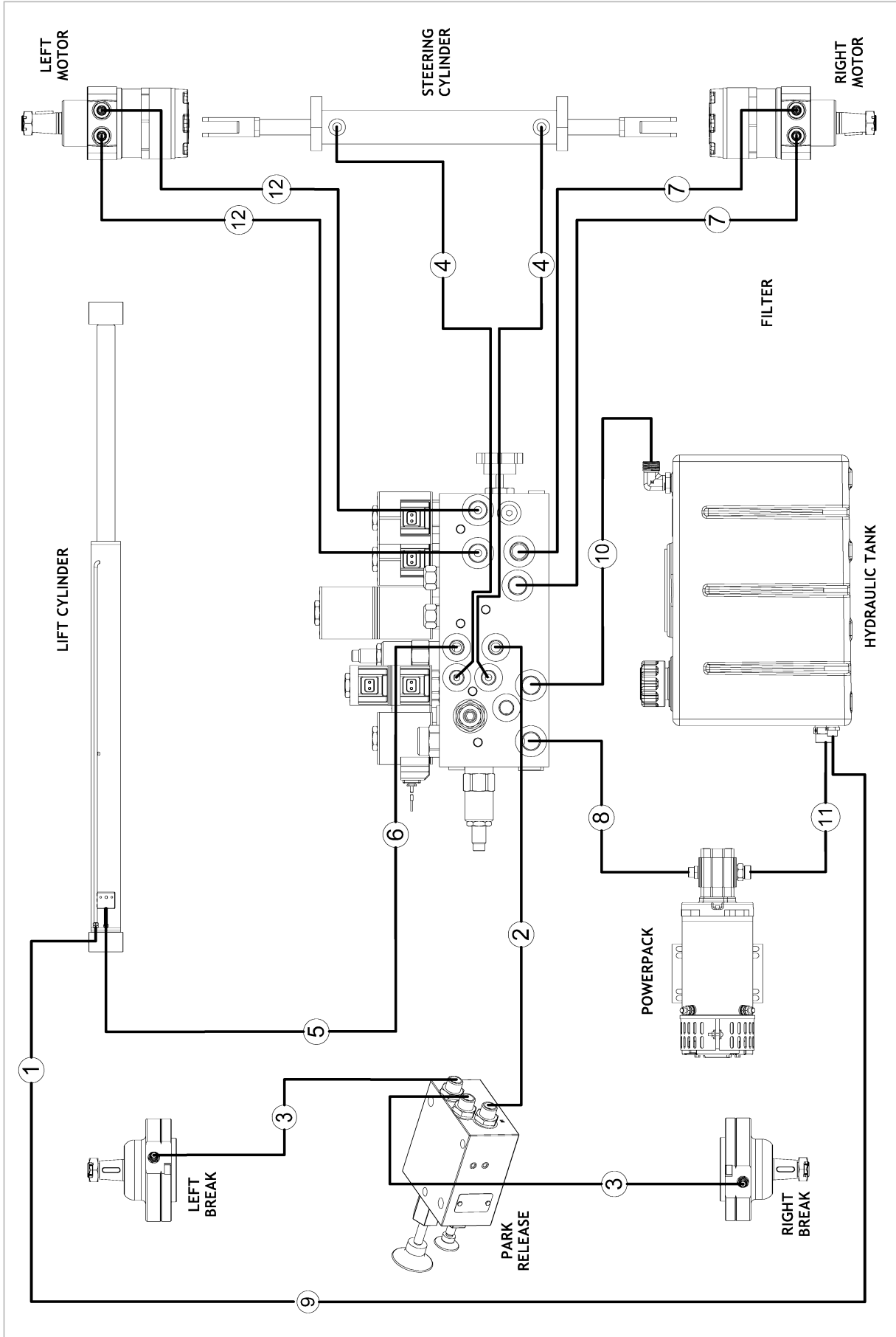
ITEM	PART NO	DESCRIPTION	QTY.
1	199302000	LOCK FIXING GROUP - WELDMENT	1
2	199303000	LOCK MECHANISM - WELDMENT	1
3	5684104000020000	SPRING	1
4	199301001	LOCK PIN	1
5	5580300407100000	WASHER	1
6	5580203681000000	NUT	1
7	5580100538450000	BOLT	1
8	5580203688000000	NUT	1

PLATFORM CONTROL UNIT ASSEMBLY



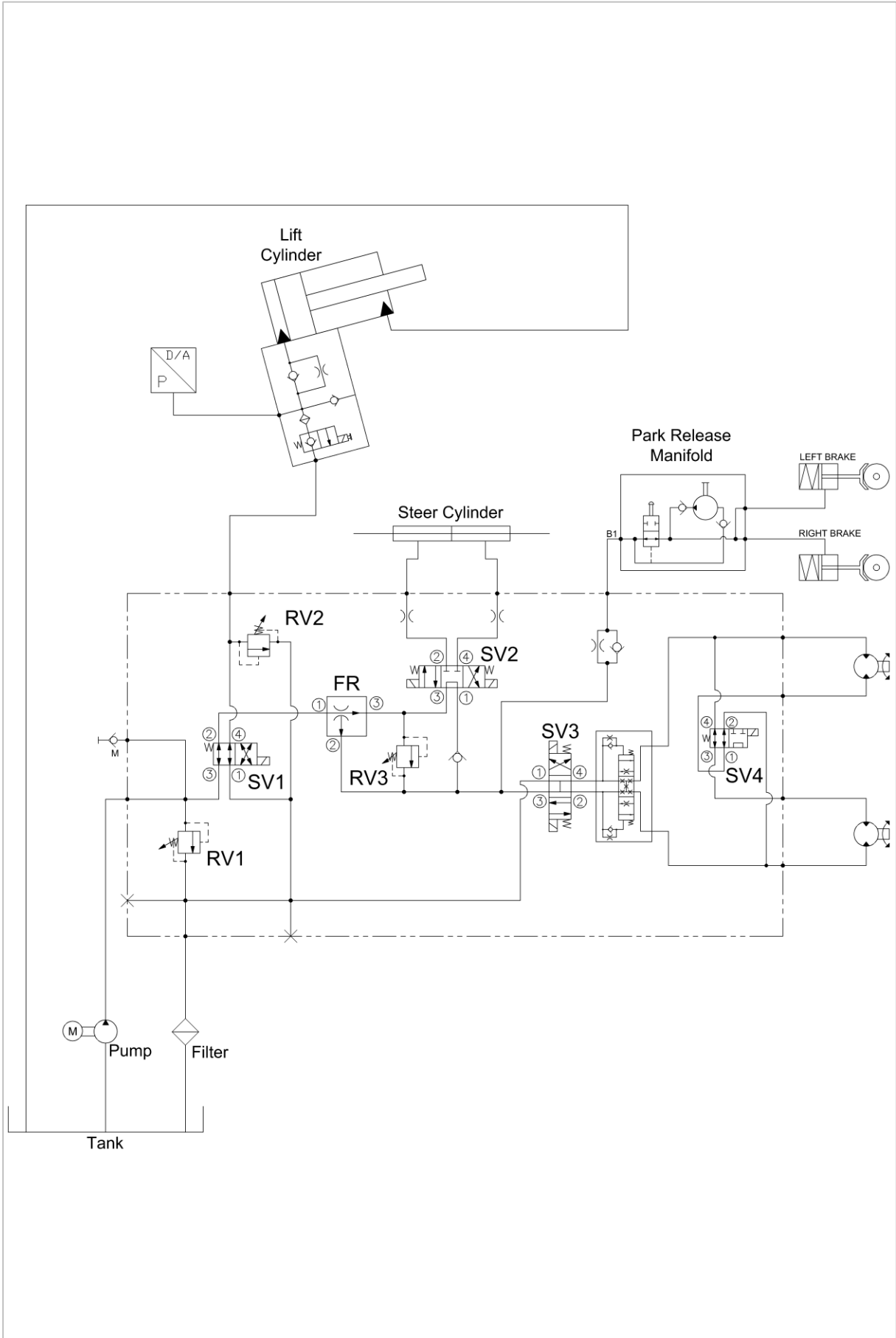
ITEM	PART NO	DESCRIPTION	QTY.
1	199306001	PLATFORM CONTROL BOX JOISTICK SHIELD	1
2	5580300407100000	WASHER	4
3	5580203681000000	NUT	2
4	5580100600110200	BOLT	2
5	199307000	PLATFORM CONTROL BOX MOUNT BRACKET	1
6	5580300040760000	WASHER	4
7	5580100576160000	BOLT	4
8	5344241200090000	PLATFORM CONTROL UNIT	1

SECTION 5 – HYDRAULIC DIAGRAM

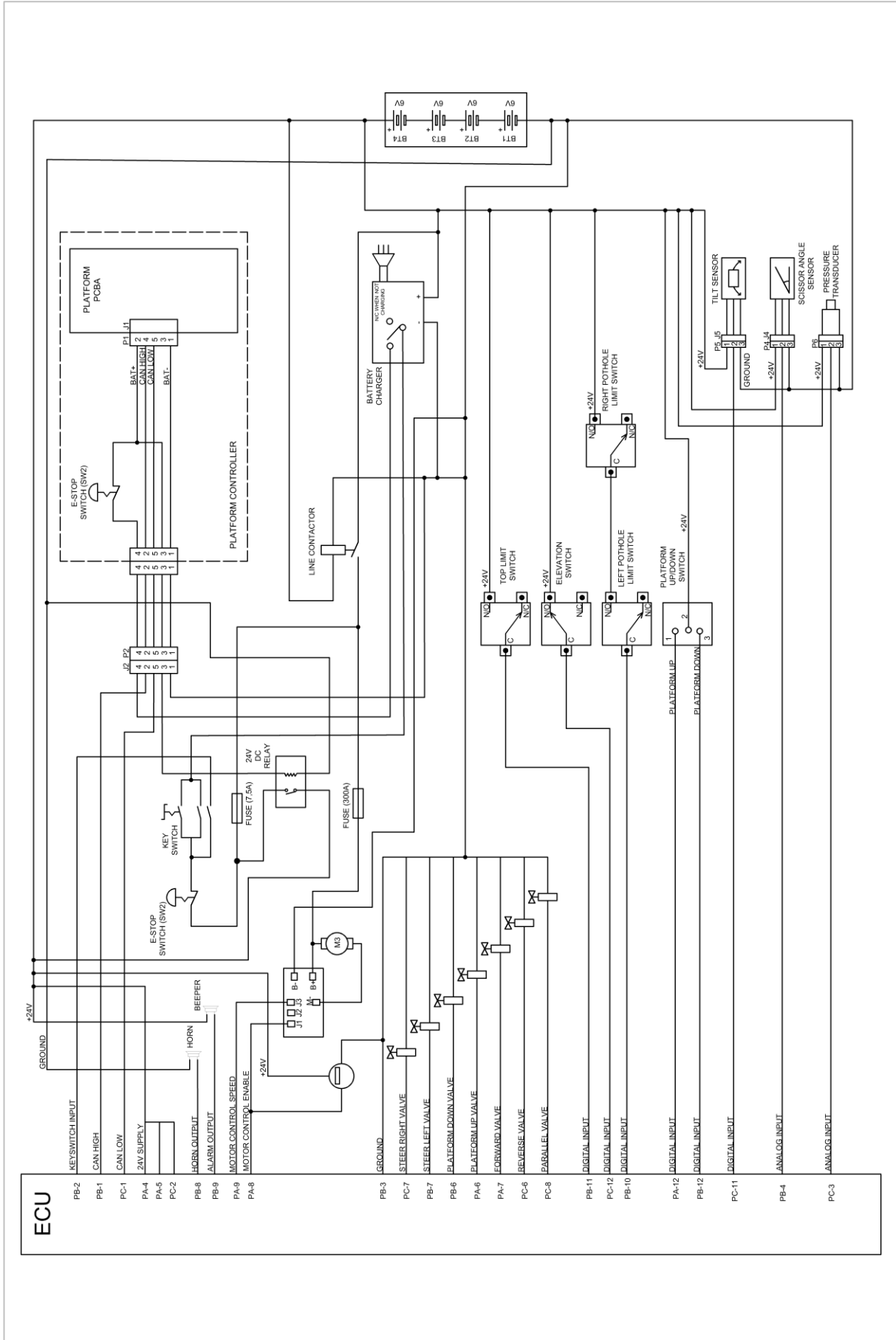


ITEM	PART NO	DESCRIPTION	QTY.
1	5254321060240000	Hose, Nipple to Lift Cylinder	1
2	5254321040070000	Hose, Function Manifold to Park Release Manifold	1
3	5254321040110000	Hose, Park Release Manifold to Right/Left Break	2
4	5254321040190000	Hose, Function Manifold to Steering Cylinder	2
5	5254321060250000	Hose, Nipple to Lift Cylinder	1
6	5254321060260000	Hose, Function Manifold to Nipple	1
7	5254321060630000	Hose, Function Manifold to Right Motor	2
8	5254321060640000	Hose, Power Pack to Function Manifold	2
9	5254321060280000	Hose, Hydraulic Tank to Nipple	1
10	5254321060290000	Hose, Return Function Manifold to Hydraulic Tank	1
11	5254321060300000	Hose, Hydraulic Tank to Power Pack	1
12	5254321070010000	Hose, Function Manifold to Left Motor	1

SECTION 6 - HYDRAULIC CIRCUIT



SECTION 7 – ELECTRICAL CIRCUIT



ELS LIFT **LIMITED OWNER WARRANTY**

ELS Lift Makina Sanayi Ticaret A.Ş. warrants its equipment to the original purchaser against defects in material and/or workmanship under normal use and service for one (1) year from date of registered sale or date the unit left the factory if not registered. ELS Lift Makina Sanayi Ticaret A.Ş. further warrants the structural weldments of the main frame and scissor arms to be free from defects in material or workmanship for two (2) years from date of registered sale or date unit left the factory if not registered. Excluded from such warranty is the battery(s). Warranty claims within such warranty period shall be limited to repair or replacement, ELS Lift Makina Sanayi Ticaret A.Ş.'s option, of the defective part in question and labor to perform the necessary repair or replacement based on ELS Lift Makina Sanayi Ticaret A.Ş.'s then current flat rate, provided the defective part in question is shipped prepaid to ELS Lift Makina Sanayi Ticaret A.Ş. and is found upon inspection by ELS Lift Makina Sanayi Ticaret A.Ş. to be defective in material and/or workmanship. ELS Lift Makina Sanayi Ticaret A.Ş. shall not be liable for any consequential, incidental or contingent damages whatsoever. Use of other than factory authorized parts; misuse, improper maintenance, or modification of the equipment voids this warranty. The foregoing warranty is exclusive and in lieu of all other warranties, express or implied. All such other warranties, including implied warranties of merchantability and of fitness for a particular purpose, are hereby excluded. No Dealer, Sales Representative, or other person purporting to act on behalf of ELS Lift Makina Sanayi Ticaret A.Ş. is authorized to alter the terms of this warranty, or in any manner assume on behalf of ELS Lift Makina Sanayi Ticaret A.Ş. any liability or obligation which exceeds ELS Lift Makina Sanayi Ticaret A.Ş.'s obligations under this warranty.

ELS LIFT

OUTPOWER
THE GRAVITY.

ELS Lift Makina Sanayi Ticaret A.Ş.

Organize Sanayi Bölgesi Lacivert Cadde No:11 16140 Nilüfer/Bursa/TÜRKİYE

Phone : +90 224 241 30 90

info@elslift.com

www.elslift.com